

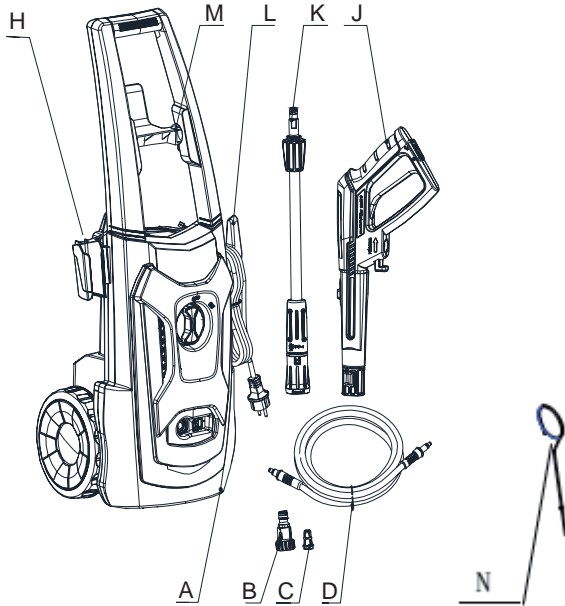


FDW 201602-E

---

English .....	4-24
Čeština.....	25-46
Slovenčina .....	47-68
Magyarul .....	69-90
Polski .....	91-112

1



# HIGH PRESSURE CLEANER

## USER'S MANUAL

**Thank you for purchasing this HIGH PRESSURE CLEANER. Before you start using it, please carefully read this user's manual and save it for possible future use.**

### TABLE OF CONTENTS

1. IMPORTANT SAFETY TIPS .....	5
2. IMPORTANT SAFETY PRECAUTIONS .....	5
3. GENERAL SAFETY PRECAUTIONS .....	6
4. SYMBOLS.....	7
5. SERVICING OF A DOUBLE-INSULATED APPLIANCE.....	9
6. USE OF EXTENSION CORDS .....	9
7. PROPER USE OF THE PRESSURE CLEANER.....	10
8. ASSEMBLY INSTRUCTIONS.....	11
9. OPERATING INSTRUCTIONS .....	15
10. USING DETERGENTS .....	18
11. CLEAN-UP AND STORAGE .....	19
12. MAINTENANCE .....	20
13. TECHNICAL DATA .....	21
14. TROUBLESHOOTING TIPS .....	22
15. DISPOSAL.....	23

# 1. IMPORTANT SAFETY TIPS

- Never** point the high-pressure nozzle at people or animals.
- Never** drink alcohol or use drugs while operating the pressure cleaner.
- Never** operate the pressure cleaner while standing in water.
- Never** touch the electrical plug with wet hands.
- Never** let electrical connections rest in water.
- Never** operate pressure cleaner without the water turned on.
- Never** use hot water with this pressure cleaner.

# 2. IMPORTANT SAFETY PRECAUTIONS

**⚠ WARNING!** When using this product, basic precautions should always be followed, including the following:

1. Read all instructions before using the product. Save all safety instructions.
2. Do not operate the pressure cleaner when fatigued or under the influence of alcohol or drugs.
3. Risk of injection or injury – do not direct the high pressure water stream at any people or animals.
4. Do not allow children to operate the pressure cleaner at any time.
5. To reduce the risk of injury, close supervision is necessary when the pressure cleaner is used near children.
6. Know how to stop the unit and reduce pressure immediately. Be completely familiar with the controls.
7. Stay alert – always be aware of where you are directing the high pressure spray
8. Keep cleaning area clear of all people.
9. Keep good footing and balance at all times – do not overreach or stand on an unstable support.
10. The work area should have adequate drainage to reduce the possibility of a fall due to slippery surfaces.
11. Follow the maintenance instructions specified in the manual.
12. To reduce the risk of electrocution, keep all connections dry and off the ground. Do not touch plug with wet hands.

### 3. GENERAL SAFETY PRECAUTIONS

1. Intended for outdoor household use only.
2. High-pressure hose can develop leaks from wear, abuse, kinking etc. Do not use a damaged hose.
3. Do not use the pressure cleaner in areas near combustible materials, combustible fumes, or dust.
4. Some chemicals or detergents may be harmful if inhaled or ingested causing severe injury. Use a respirator or mask whenever there is a chance that vapors may be inhaled. Read all instructions included with the mask so you are certain the mask will provide the necessary protection against inhaling harmful vapors.
5. Before starting the pressure cleaner in cold weather, check all of the parts of the equipment and be sure that ice has not formed. Do not store the unit anywhere that the temperature will fall below 0 °C (32 °F).
6. **DO NOT MAKE ANY MODIFICATIONS TO ANY OF THE COMPONENTS!** Units with broken or missing parts, or without the protective housing or covers should **NEVER** be operated
7. Keep the high-pressure hose connected to the pressure cleaner and the spray gun while the system is pressurized. Disconnecting the hose while the unit is pressurized is dangerous, and may cause injury.
8. Do not leave the pressure cleaner unattended while the power switch is ON.
9. Keep water spray away from electrical wiring or fatal electric shock may result.

## 4. SYMBOLS

The labels on your tools and manual may show symbols. These represent important information about the product or instruction on its use.



Indicates a potential personal injury hazard.



Double-insulated construction



Do not expose to rain or use in damp locations.



To reduce the risk of injury, user must read and understand owner's manual before using this product.



Always wear safety goggles or safety glasses with side shields and, as necessary, A full face shield when operating this product.



To reduce the risk of injection or injury, never direct a water stream towards people or pets or place any body part in the stream.

Leaking hoses and fittings are also capable of causing injection injury.  
Do not hold hoses or fittings.



To reduce the risk of injury from kickback, hold the spray lance securely with both hands when the machine is on.



Failure to use in dry conditions and to observe safe practices can result in electric shock.



**Warning! Never point the gun to human, animals, the machine body, power supply or any electric appliances**



Machine not intended to be connected to the potable water mains.




Waste electrical products should not be disposed of with household waste, please recycle where facilities exist. Check with your local authority or retailer for recycling advice.



## 5. SERVICING OF A DOUBLE-INSULATED APPLIANCE

In a double-insulated product, two systems of insulation are provided instead of grounding. No means of grounding is provided on a double-insulated product, nor should a means for grounding be added to the product. Servicing a double-insulated product requires extreme care and knowledge of the system, and should be done only by qualified service personnel. Replacement parts for a double-insulated product must be identical to the parts they replace. A double-insulated product is marked with the words "DOUBLE INSULATION" or "DOUBLE INSULATED".

This symbol  may also be marked on the product.

## 6. USE OF EXTENSION CORDS

Use of an extension cord with this product is NOT RECOMMENDED. If you must use an extension cord, use only extension cords that are intended for outdoor use. These cords are identified by a marking "ACCEPTABLE FOR USE WITH OUTDOOR APPLIANCES, STORE INDOORS WHILE NOT IN USE." Use only extension cords having an electrical rating not less than the rating of the product. Examine extension cord before use. DO NOT USE DAMAGED EXTENSION CORDS! Do not pull on cord to disconnect from receptacle, always disconnect by pulling on plug. Keep cord away from heat and sharp edges. Always disconnect the extension cord from the receptacle before disconnecting the product from the extension cord.

**⚠ WARNING!** To reduce the risk of electrocution, keep all connections dry and off the ground. Do not touch the plug with wet hands.

- ✿ Do not use the appliance if a supply cord or important parts of the appliance are damaged, e.g. safety devices, high pressure hoses, trigger gun.
- ✿ If an extension cord is used, the plug and socket must be of watertight construction.

**⚠ WARNING!** Inadequate extension cords can be dangerous.

- ✿ Remove the plug from the socket-outlet during cleaning or maintenance and when replacing parts or converting the machine to another function.

## 7. PROPER USE OF THE PRESSURE CLEANER

**THIS UNIT IS INTENDED FOR USE WITH COLD WATER ONLY!  
DO NOT USE HOT WATER IN THIS PRESSURE CLEANER.**

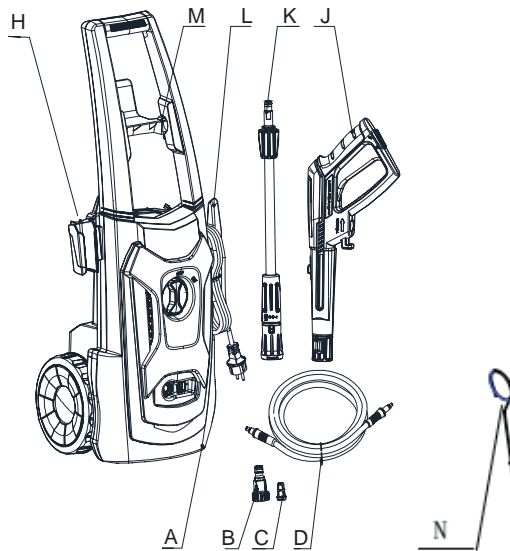
1. Operate the pressure cleaner at no more than the fluid pressure rated for the pressure cleaner. Never run the pressure cleaner without a water supply. Running the unit without a water supply will cause irreparable damage to the unit.
2. Make sure that the water supply you use for the pressure cleaner is not dirty, sandy, and does not hold any corrosive chemical products. Using a dirty water supply will compromise the long life of the pressure cleaner.
3. **⚠ CAUTION** - The pressure cleaner can be used for a variety of applications including washing cars, boats, patios, decks, garages etc. where high pressure is necessary to remove dirt and debris.  
**High-pressure water flow can damage the work surface if not used properly!** See the section titled "Operating Instructions" for more details. Always test the spray in an open area first.
4. NEVER move the unit by pulling on the high pressure hose. Use the handle provided on the top of the unit.
5. Always hold the high pressure gun and wand with two hands. Keep one hand on the gun/trigger, while supporting the wand with the other hand (see diagram).
6. When dispensing detergent, the pressure cleaner applies detergent to the cleaning area at low pressure only. Once the detergent has been applied, spray the detergent off of the work area by using the adjustable nozzle.

## 8. ASSEMBLY INSTRUCTIONS

### Unpacking The Carton

After opening the carton, please remove all parts and check them against the following list of components that are included:

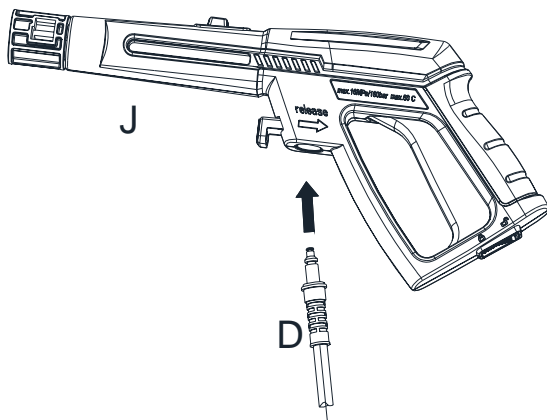
- |                                    |                            |
|------------------------------------|----------------------------|
| A. High Pressure Cleaner Main Body | J. Gun                     |
| B. Quick Connector&filter(C)       | K. Adjustable Nozzle       |
| L. Power Cord Hook                 | M. High Pressure Hose Hook |
| D. High Pressure Hose              | N. Cleaning pin            |
| H. Gun Holder                      |                            |



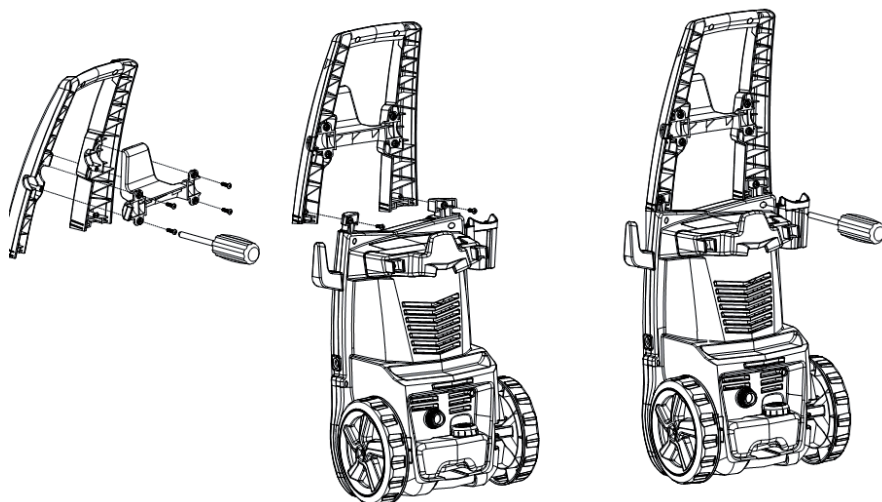
Due to transportation and packaging, some of the accessories may be supplied disassembled. Please follow the assembly instructions.

**Step 1**

Attach the high pressure hose (D) to the gun (J). Insert and quick-connect it tight to avoid leakage. When the pieces are joined properly, you cannot separate the two components by pulling straight out from the gun (E). Push the trigger lock button, then you can pull out high pressure hose.

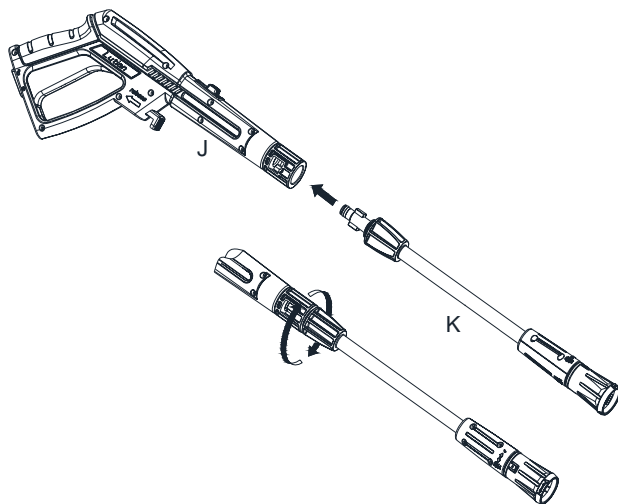
**Step 2**

Screw the washer handle tight to the main body as below fig. The screws will be packed together with the main body, pls kindly check and find it when unpacked.

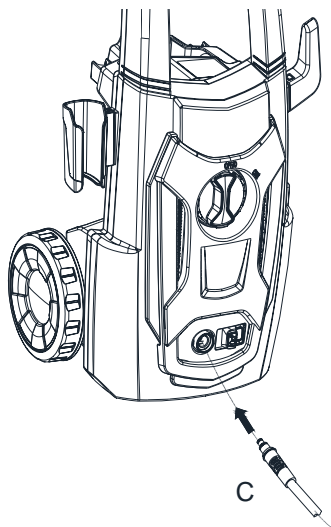


**Step 3**

Insert the adjustable spray nozzle(K) into the gun(J) until hand tight to lock it in place. When the pieces are joined properly, you cannot separate the two components by pulling straight out on the adjustable nozzle. All attachments must be inserted into the gun for proper use.

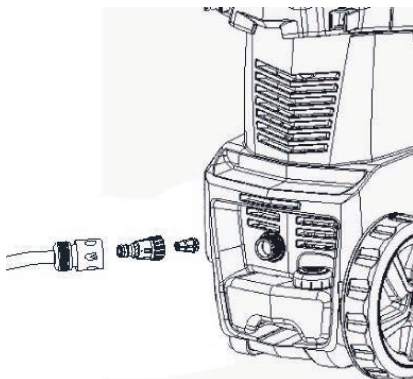
**Step 4**

Attach the high pressure hose(C) to the pressure cleaner water outlet. Insert and quick-connect it tight to avoid leakage. When the pieces are joined properly, you cannot separate the two components by pulling straight out from the water outlet. Push the "Button" according to the direction of arrow, then you can pull out the high pressure hose.



**Step 5**

Attach the hose connector to pressure washer. Before attaching the connector to the male fitting, remove the plastic cap, which is inserted onto the male fitting on the pressure washer before shipping. This plastic cap can be discarded once removed. After both components have been installed, attach the garden hose with connector screw on the pressure washer. Connect the garden hose to the waterspout.



## 9. OPERATING INSTRUCTIONS

**THIS UNIT IS INTENDED TO BE USED WITH COLD WATER ONLY! DO NOT USE HOT WATER IN THIS PRESSURE CLEANER!**

### Starting Up

After connecting the pressure cleaner to your cold water supply, proceed as follows:

- ✿ Make sure that the ON/OFF switch is in the OFF position.
- ✿ Connect the garden hose to the inlet fitting.
- ✿ Attach the hose to the gun as per assembly instruction step #1.
- ✿ Insert the adjustable spray nozzle into the gun as per assembly step #3.
- ✿ Connect the high pressure hose to the high pressure outlet fitting as per assembly step #4.
- ✿ Connect the garden hose to the high pressure washer inlet fitting as per assembly step#5.
- ✿ Open the water supply valve completely.
- ✿ Before turning the unit on, press the gun trigger to bleed all the remaining air out of the pump and hose.
- ✿ Start the pressure cleaner by turning the on/off switch to the on position and squeeze the trigger.

**REMINDER:** Motor does not run continuously, only when the trigger is squeezed.

### **⚠ WARNING!**

**RISK OF INJECTION!** Unit will start spraying when trigger is squeezed. When turning the unit off after use, high pressure still exists inside the hose and unit. Point the gun in a safe direction and discharge the excess pressure. NEVER direct the high pressure water stream at people or animals.

### Automatic On/Off

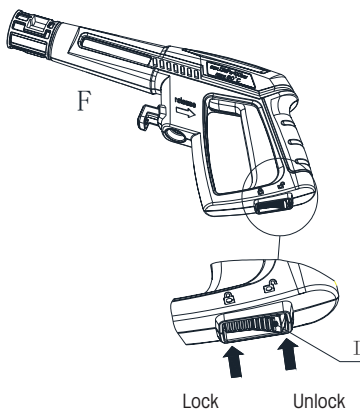
The pressure cleaner is equipped with an automatic on/off switch. The pressure cleaner will only run when the power switch is in the ON position and the trigger on the gun is squeezed. When you release the trigger to stop spraying water through the gun, the motor on the pressure cleaner will automatically shut off. Simply squeeze the trigger again to resume using the cleaner. To stop using the pressure cleaner, release the trigger and switch the unit to the OFF position. The unit should be turned completely OFF while not in use or while unattended.

### Bleeding the Gun

It is very important to bleed the gun before using the pressure cleaner. Refer to the "Assembly Instructions" to assemble the pressure cleaner. To bleed the gun, simply connect the garden hose to the pressure cleaner and squeeze the trigger BEFORE turning the electrical supply on. This allows any air trapped inside the pressure cleaner and gun to be removed before using the unit. Continue holding trigger for approximately one minute to allow any excess air out of the unit. Water will flow through the gun at low pressure during this procedure. For more bleeding tips, see the section titled "Operating Instructions."

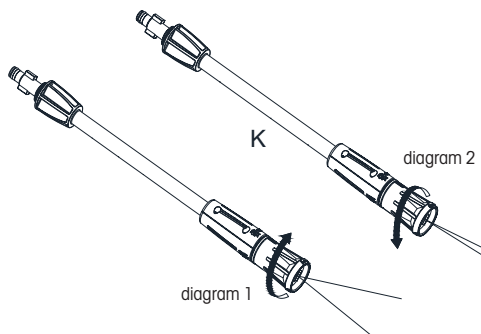
## Gun Safety Lock

This pressure cleaner is equipped with a gun trigger safety lock. When not using the pressure cleaner, use the safety lock to keep from accidentally engaging the high pressure spray.



## Adjustable Spray Nozzle

The adjustable nozzle will allow you to use any variety of spray patterns from a full fan spray (Diagram 1) to a direct stream spray (Diagram 2). When using the pressure washer to clean wood decks, siding, vehicles etc., always start using the fan spray and begin spraying from a minimum 36" away to avoid damaging the surface of the material you are cleaning. Always begin by spraying in a testing area free and clear of people and objects.



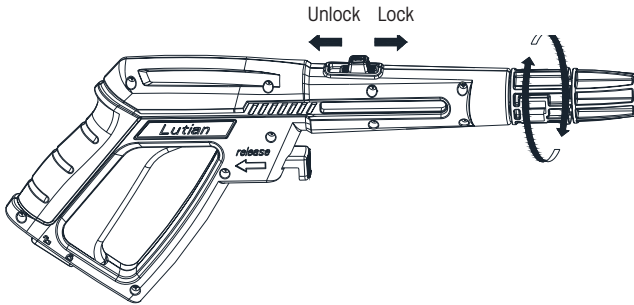
**⚠ Warning!** High pressure jets can be dangerous if subject to misuse. The jet must not be directed at persons, live electrical equipment or the appliance itself.

☼ Do not direct the jet against yourself or others in order to clean clothes or foot-wear.



### Rotate The Gun

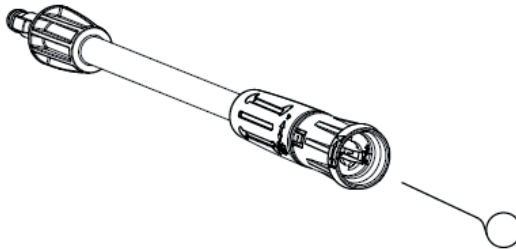
The gun rotating will adjust your cleaning angle during a full fan spray pattern, to make every user find its most comfortable and efficient cleaning position. Push the button to “unlock” side, the rotating function will be opened. And push the button to “unlock” side if you don’t need this function.



### Hose Reel

When the nozzle is clogged, it will cause the pump to build pressure and may cause unit to surge, you can clean the nozzle inserting needle into the tip to rid of the deposits.

For the adjustable nozzle, you can lubricate the nozzle collar (high pressure to low pressure) by using non-water soluble grease regularly.



## 10. USING DETERGENTS

**THE PRESSURE CLEANER WILL DISPENSE DETERGENT AT LOW PRESSURE. USE THE ADJUSTABLE SPRAY NOZZLE TO RINSE CLEAN.**

**BIODEGRADABLE DETERGENTS ARE SPECIFICALLY FORMULATED TO PROTECT THE ENVIRONMENT AND YOUR PRESSURE CLEANER.**

**THESE DETERGENTS WILL NOT CLOG THE FILTER AND WILL PROTECT THE INTERNAL PARTS OF THE PRESSURE CLEANER FOR A LONGER LIFE.**

The built-in detergent dispenser will allow you to apply many forms of liquid detergent onto the work surface. Detergent application happens at low-pressure only. Insert the adjustable nozzle onto the gun, and turn it to end of „☼“, so that the pressure washer is in low-pressure mode (see Figure A below). Remove the cap on the detergent reservoir and fill with liquid detergent only (see Figure B below). Do not put any water into the reservoir. The pressure washer will mix water and detergent automatically. When finished applying the detergent to the work surface, turn it to end of „☼“ of the adjustable nozzle and spray off the detergent by using the high-pressure spray (see Figure A below). In high-pressure mode, the pressure washer will not dispense detergent.

Fig. A

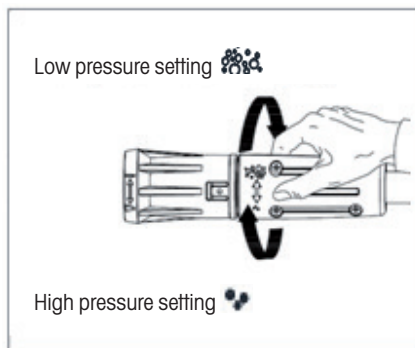
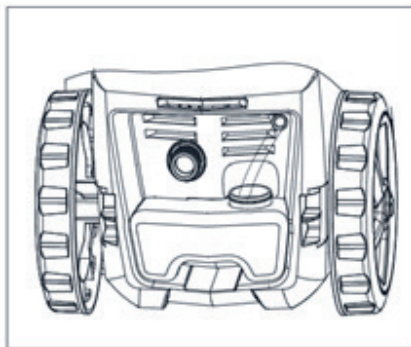


Fig. B



### ⚠ WARNING!

NEVER USE PRODUCTS WITH BLEACH OR CHLORINE OR ANY OTHER CORROSIVE MATERIALS, INCLUDING LIQUIDS CONTAINING SOLVENTS (I.E. GAS, OILS ETC), TRI-SODIUM PHOSPHATE PRODUCTS, AMMONIA, OR ACID-BASED CLEANERS. THESE CHEMICALS WILL HARM THE UNIT AND CAUSE DAMAGE TO THE SURFACE BEING CLEANED. ALWAYS READ THE LABEL.

# 11. CLEAN-UP AND STORAGE

## Shutting Down the Pressure Cleaner

### **WHEN FINISHED USING THE PRESSURE CLEANER, FOLLOW THESE STEPS TO SHUT DOWN THE UNIT:**

- ✿ Turn the pressure cleaner to the OFF position.
- ✿ Turn off the water supply.
- ✿ Before disconnecting high-pressure hose connection, point the gun in a safe direction and discharge the high-pressure water.
- ✿ Disconnect high-pressure hose from the pressure cleaner and gun.
- ✿ Disconnect garden hose from the pressure cleaner.
- ✿ Remove quick coupler fitting from garden hose and attach to the nipple portion of the fitting installed on the pressure cleaner for storage.
- ✿ Remove excess water from the pump by tipping the unit on both sides to drain any remaining water from inlet and outlet fittings.
- ✿ Remove Water Intake Filter and flush with water to remove dirt or debris. Return filter once cleaned.
- ✿ Drain detergent reservoir and flush with running water.
- ✿ Wipe away any remaining water on all parts and fittings.
- ✿ Engage the gun safety lock.
- ✿ Store the pressure cleaner, parts, and accessories in an area with a temperature above 0 °C (32 °F).

## Winterizing and Long-Term Storage

### **FOLLOW ALL OF THE ABOVE SHUT-DOWN PROCEDURES, ADDING THE FOLLOWING STEPS....**

- ✿ After disconnecting the water supply, and before disconnecting the high-pressure hose, turn the pressure cleaner on for **2-3 seconds**, until any remaining water in the pump exits.

**TURN UNIT OFF IMMEDIATELY.  
CONTINUED USE OF THE PRESSURE CLEANER WITHOUT WATER SUPPLY ATTACHED WILL  
CAUSE SEVERE DAMAGE TO THE UNIT!**

- ✿ Always store the pressure cleaner, parts, and accessories in an area with a temperature above 0 °C (32 °F).

### **⚠ WARNING!**

FAILURE TO COMPLY WITH THESE STORAGE INSTRUCTIONS WILL RESULT IN DAMAGE TO THE PUMP ASSEMBLY.

## 12. MAINTENANCE

- ✿ This pressure cleaner is supplied with a closed lubrication system, so no addition of oil is needed.
- ✿ Check all hoses and accessories for damage prior to use.
- ✿ Check the inlet filter periodically for deposits. Clean this filter regularly for maximum performance.

### CLEANING TIPS

#### **⚠ WARNING!**

ALWAYS TEST THE SPRAY IN AN AREA FREE AND CLEAR OF PEOPLE AND OBJECTS BEFORE YOU SPRAY AT THE INTENDED CLEANING SURFACE.

### Wood and Vinyl Decks

Rinse deck and surrounding area with fresh water. If using detergent, fill the detergent reservoir and apply to the area being cleaned at low pressure. For optimal results, reduce your work area to smaller sections and clean each section one at a time. Allow the detergent to rest on the surface for a few minutes and then rinse at high pressure. **DO NOT LET THE CLEANSER DRY.** Always clean from left to right and top to bottom for best results. Rinse at high pressure **using the fan spray** keeping the tip of the spray nozzle at least 6-9 inches from the cleaning surface. Maintain a further distance from the cleaning area when using a direct spray.

**⚠ CAUTION!** For softer woods, increase the distance from the cleaning area.

### Cement Patios, Stone, and Brick

Rinse cleaning and surrounding area with fresh water. If using detergent, fill the detergent reservoir and apply to the area being cleaned at low pressure. Rinse at high pressure **using the fan spray** in a sweeping motion keeping the tip of the spray nozzle at least 3-6 inches from the cleaning surface. Maintain a further distance from the cleaning area when using a direct spray.

### Cars, Boats, and Motorcycles

Rinse cleaning and surrounding area with fresh water. If using detergent, fill the detergent reservoir and apply to the area being cleaned at low pressure. To achieve the best results, clean one side at a time. Allow the detergent to rest on the surface for a few minutes, but do not let the detergent dry. Rinse at high pressure **using the fan spray** in a sweeping motion keeping the tip of the spray nozzle at least 8 inches from the cleaning surface. Maintain a further distance from the cleaning area when using a direct spray. Wipe surface dry for a polished finish.

### Barbecue Grills, Power Equipment, and Garden Tools

Rinse cleaning and surrounding area with fresh water. If using detergent, fill the detergent reservoir and apply to the area being cleaned at low pressure. Allow the detergent to rest on the surface for a few minutes, but do not let the detergent dry. Rinse at high pressure **using the fan spray** keeping the tip of the spray nozzle at least 1-3 inches from the cleaning surface. Maintain a further distance from the cleaning area when using a direct spray.

## 13. TECHNICAL DATA

Rated voltage	AC 220-240V
Rated frequency	50/60Hz
Rated power input	1600W
Rated pressure	90bar (9MPa)
Maximum pressure	130bar (13Mpa)
Rated flow	6l/min
Maximum flow rate	7l/min
Max. water inlet temperature	50°C
Protection class	II.
Weight	7.3kg
Maximum water input pressure in pascals	1.2Mpa
Acoustic pressure level (K = 3dB (A)): $L_{pA}$	79dB
Acoustic power level (K = 3dB (A)): $L_{pA}$	90dB

### GUARANTEE

Refer to the enclosed guarantee conditions for the terms and conditions of guarantee.

### ENVIRONMENT

Should your machine need replacement after extended use, do not put it in the domestic waste but dispose of it in an environmentally safe way.

## 14. TROUBLESHOOTING TIPS

### WHEN THE SWITCH IS IN THE “I” POSITION THE MACHINE WILL NOT START

PROBABLE CAUSE	SOLUTION
Electrical socket is faulty	Check plug, socket, fuses
Voltage is inadequate	Check whether the voltage is adequate
Power cord is not plugged in	Plug in power cord
Power cord is not plugged in	Plug in power cord

### THE PUMP DOES NOT REACH ADEQUATE PRESSURE OR FLUCTUATES

PROBABLE CAUSE	SOLUTION
Water inlet filter is clogged	Remove and clean filter
Pump is drawing air	Tighten connections/bleed system
Suction valves are clogged/worn	Clean or replace valves
Diameter of garden hose too small	Replace with ¾ inch garden hose
Water supply is restricted	Check hose for kinks or leaks
Insufficient water supply	Fully open water source

### THE PRESSURE CLEANER HAS OR WILL NOT MAINTAIN PRESSURE

PROBABLE CAUSE	SOLUTION
Excessive air in waterline and pump	Turn unit and water supply off/ Bleed system/Hold trigger down

### THE PRESSURE CLEANER MAKES EXCESSIVE NOISE

PROBABLE CAUSE	SOLUTION
Intake is blocked	Check the intake valves
Valves are worn, dirty, or clogged	Check, clean or replace valves
Filter is dirty	Check, clean, or replace filter

### THE MOTOR STOPS RUNNING WHILE IN USE

PROBABLE CAUSE	SOLUTION
Net voltage lower than suggested	Check whether the voltage is adequate

## 15. DISPOSAL



The machine, rechargeable batteries, accessories and packaging should be sorted for environmental friendly recycling.

Do not dispose of power tools and batteries/rechargeable batteries into household waste!

### Only for EC countries:



According to the European Guideline 2012/19/EU, power tools that are no longer usable, and according to the European Guideline 2006/66/EC, defective or used battery packs/batteries, must be collected separately and disposed of in an environmentally correct manner.

#### INSTRUCTIONS AND INFORMATION ON DISPOSAL OF USED PACKAGING.

Put any used package material to the place determined by the municipality for waste disposal.

#### DISPOSAL OF USED ELECTRIC AND ELECTRONIC EQUIPMENT



This symbol on products or accompanying documents means that used electric or electronic products must not be put to ordinary municipal waste.

Hand over such products to determined collection points for proper disposal, restoration and recycling. Alternatively, in some countries of the European Union or other European countries you can return your products to your local dealer when you buy an equivalent new product. By dutiful disposal of this product you can preserve precious natural resources and you help prevent any potential adverse effects on the environment and human health which could be the results of wrong waste disposal. Ask your local authority or the nearest collection point for additional details. In case of improper disposal of this waste kind penalties can be imposed in accordance with national regulations.

#### For companies in the European Union countries

Should you want to dispose of electric and electronic devices, ask your dealer or vendor for necessary information..

#### Disposal in other countries outside the European Union

Should you want to dispose of this product, ask your local authorities or your dealer for necessary information about disposal method.



This product fulfils all basic requirements of the EU directives that apply to it.

Text, design and technical specifications can change without prior notice and we reserve the right for their change.

User manual in the original language.

# 16. DECLARATION OF CONFORMITY



**FAST ČR, a.s.**  
Černokostecká 1621, 251 01 Říčany, Czech Republic  
tel.: +420 323 204 111, fax: +420 323 204 110

## EU DECLARATION OF CONFORMITY

**Product/ brand:** Electric High Pressure Cleaner / **FIELDMANN**

**Type/ model:** **FDW 201602-E** as factory model LT502-1600B  
AC 220–240 V, 50/60 Hz, 1600 W, 6 l/min, 9Mpa, IPX5, Class II  
LpA 88,3 dB(A), LwA 90dB(A)

**Manufacturer:** FAST ČR, a.s.  
Černokostecká 2111, 100 00 Praha 10, Czech Republic  
VAT no: CZ26726548

**The product is inline with directives and regulations listed below:**

Directive MD 2006/42/EC  
Directive EMC 2014/30/EU  
Directive NOISE 2000/49/EC  
Directive RoHS 2011/65/EU

**and norms:**

EN 60335-1:2012+A11+A13  
EN 60335-2-79:2012  
EN 62233:2008  
EN 55014-1:2017  
EN 55014-2:2015  
EN 61000-3-2:2014  
EN 61000-3-3:2013



**Place of issuance:** Prague

**Name:** Ing. Zdeněk Pech  
Chairman of the Board

**Date of issuance:** 4. 9. 2020

**Signature:**

**FAST** FAST ČR, a.s.  
Černokostecká 1621, 251 01 Říčany  
IČO: 26726548 tel.: +420/ 323 204 111  
DIČ: CZ26726548 fax: +420/ 323 204 110



IČO: 26 72 65 48, DIČ: CZ-26 72 65 48

**Bankovní spojení:** Komerční banka Praha 1, č.ú. 89309011/0100, Česká spořitelna Praha 4, č.ú. 2375682/0800,  
ČSOB Praha 1, č.ú. 8010-0116233383/0300



# Vysokotlaký čistič

## UŽIVATELSKÁ PŘÍRUČKA

Děkujeme vám za zakoupení tohoto vysokotlakého čističe. Před jeho použitím si prosím pozorně přečtete tuto uživatelskou příručku a uschovejte ji pro případné pozdější použití

## OBSAH

1. DŮLEŽITÉ BEZPEČNOSTNÍ TIPY.....	26
2. DŮLEŽITÁ BEZPEČNOSTNÍ OPATŘENÍ.....	26
3. OBECNÁ BEZPEČNOSTNÍ OPATŘENÍ.....	27
4. SYMBOLY.....	28
5. SERVIS SPOTŘEBIČŮ S DVOJITOU IZOLACÍ.....	30
6. POUŽÍVÁNÍ PRODLUŽOVACÍCH KABELŮ.....	30
7. SPRÁVNÉ POUŽÍVÁNÍ TOHOTO TLAKOVÉHO ČISTIČE.....	31
8. POKYNY PRO SESTAVENÍ.....	32
9. POKYNY K OBSLUZE.....	36
10. POUŽÍVÁNÍ ČISTICÍCH PROSTŘEDKŮ.....	39
11. ČIŠTĚNÍ A SKLADOVÁNÍ.....	40
12. ÚDRŽBA.....	41
13. TECHNICKÉ ÚDAJE.....	42
14. TIPY PRO ŘEŠENÍ PROBLÉMŮ.....	43
15. LIKVIDACE.....	44

# 1. DŮLEŽITÉ BEZPEČNOSTNÍ TIPY

**Nikdy** nemiřte vysokotlakou tryskou na osoby nebo zvířata.

**Nikdy** během používání tohoto tlakového čističe nepijte alkohol a nepoužívejte drogy.

**Nikdy** nepoužívejte tento tlakový čistič, pokud stojíte ve vodě.

**Nikdy** se nedotýkejte elektrické zástrčky mokřýma rukama.

**Nikdy** nenechávejte elektrická připojení ležet ve vodě.

**Nikdy** nepoužívejte tento tlakový čistič, aniž byste zapnuli vodu.

**Nikdy** nepoužívejte v tomto tlakovém čističi horkou vodu.

# 2. DŮLEŽITÁ BEZPEČNOSTNÍ OPATŘENÍ

**⚠ VAROVÁNÍ!** Během používání tohoto produktu je nutno vždy dodržovat základní bezpečnostní opatření, včetně následujících:

1. Před použitím tohoto produktu si přečtěte všechny pokyny. Uschovejte všechny bezpečnostní pokyny.
2. Nepoužívejte tento tlakový čistič, jestliže cítíte únavu nebo jste pod vlivem alkoholu či drog.
3. Nebezpečí vsířknutí nebo zranění – nesměřujte proud vody s vysokým tlakem na osoby nebo zvířata.
4. Nikdy nedovolte, aby tento tlakový čistič používaly děti.
5. Aby bylo minimalizováno nebezpečí, je při použití tohoto tlakového čističe v blízkosti dětí nutný přísný dohled.
6. Naučte se, jak tento přístroj zastavit a jak okamžitě snížit tlak. Naučte se dokonale používat ovládací prvky.
7. Buďte ostražití – vždy si buďte vědomi, kam směřujete vysokotlaký postřik
8. Udržujte všechny osoby mimo oblast čištění.
9. Neustále udržujte pevný postoj a rovnováhu – nepřeceňujte své síly a nestůjte na nestabilní podpěře.
10. Pracovní oblast by měla mít odpovídající odtok, aby se snížilo nebezpečí pádu v důsledku kluzkého povrchu.
11. Dodržujte pokyny pro údržbu uvedené v této příručce.
12. Aby nedošlo k zasažení elektrickým proudem, udržujte všechna připojení v suchu a mimo zemi. Nedotýkejte se zástrčky mokřýma rukama.

### 3. OBECNÁ BEZPEČNOSTNÍ OPATŘENÍ

1. Určeno pouze pro venkovní použití v domácnostech.
2. Ve vysokotlaké hadici se mohou v důsledku opotřebení, nesprávného používání, zamotání apod. objevit trhliny. Nepoužívejte poškozenou hadici.
3. Nepoužívejte tento tlakový čistič v místech v blízkosti hořlavých materiálů, hořlavých plynů nebo prachu.
4. Některé chemikálie nebo čisticí prostředky mohou být v případě vdechnutí nebo polknutí škodlivé a mohou způsobit vážná zranění. Pokud hrozí nebezpečí vdechnutí výparů, vždy použijte respirátor nebo masku. Přečtěte si všechny pokyny dodávané k masce, abyste měli jistotu, že maska poskytuje nezbytnou ochranu před vdechnutím škodlivých výparů.
5. Před spuštěním tohoto tlakového čističe za chladného počasí zkontrolujte všechny části tohoto zařízení a ujistěte se, že se na něm nevytvořil led. Neskladujte tento přístroj v místech, kde teplota klesá pod 0 °C (32 °F).
6. **NEPROVÁDEJTE ŽÁDNÉ ÚPRAVY JAKÝCHKOLI KOMPONENT!** Přístroje s rozbitými nebo chybějícími díly nebo bez ochranných krytů či pouzder **NIKDY** nepoužívejte
7. Během tlakování systému udržujte vysokotlakou hadici připojenou k tlakovému čističi a stříkací pistoli. Odpojení hadice během tlakování přístroje je nebezpečné a může způsobit zranění.
8. Když je vypínač napájení zapnutý (ON), nenechávejte tlakový čistič bez dozoru.
9. Udržujte vodní postřík mimo elektrickou instalaci, jinak může dojít ke smrtelnému úrazu elektrickým proudem.

## 4. SYMBOLY

Štítky na vašich nástrojích a v návodě mohou zobrazovat symboly. Představují důležité informace o produktu nebo pokyny k jeho používání.



Indikuje potenciální nebezpečí zranění osob.



Konstrukce s dvojitou izolací



Nevystavujte dešti a nepoužívejte ve vlhkém prostředí.



Pro minimalizaci nebezpečí zranění si uživatelé musí přečíst uživatelskou příručku a porozumět uvedeným pokynům ještě před použitím tohoto produktu.



Během používání tohoto produktu vždy používejte bezpečnostní brýle s boční ochranou a v případě potřeby také celoobličejový štít.



Pro minimalizaci nebezpečí vstříknutí nebo zranění nikdy nesměřujte proud vody na osoby nebo zvířata, a nestrkejte do tohoto proudu žádnou část těla. Prosakující hadice a tvarovky mohou rovněž způsobit zranění vstříknutím.  
Nedržte hadice nebo tvarovky.



Pro minimalizaci nebezpečí zranění zpětným rázem držte u zapnutého přístroje postřikovací násadec bezpečně oběma rukama.



Pokud nebudete přístroj používat za sucha nebo nebudete dodržovat bezpečnostní pokyny, může dojít k úrazu elektrickým proudem.



**Varování! Nikdy nesměřujte pistoli na osoby, zvířata, části těla, zdroje energie nebo jakékoli elektrické spotřebiče**



Přístroj není určen k připojení k síti s pitnou vodou



Vyřazené elektrické produkty nevyhazujte do domovního odpadu, ale odnešte je do sběrného dvora k recyklaci. Informace o možnostech recyklace vám poskytnou místní úřady nebo prodejce.

## 5. SERVIS SPOTŘEBIČŮ S DVOJITOU IZOLACÍ

U produktu s dvojitou izolací jsou namísto uzemnění k dispozici dva systémy izolace. Na produktu s dvojitou izolací nejsou žádné prostředky pro uzemnění, ani by k takovému produktu neměl být připojován žádný prostředek pro uzemnění. Servis produktu s dvojitou izolací vyžaduje mimořádnou opatrnost a znalosti systému, a měl by jej provádět pouze kvalifikovaný servisní technik. Náhradní díly pro produkt s dvojitou izolací musí být stejné, jako nahrazované díly. Produkt s dvojitou izolací je označen slovy „DOUBLE INSULATION“ (Dvojitá izolace) nebo „DOUBLE INSULATED“ (Dvojitě izolován).

Na produktu může být rovněž vyznačen tento  symbol.

## 6. POUŽÍVÁNÍ PRODLUŽOVACÍCH KABELŮ

Používání prodlužovacího kabelu u tohoto produktu NEDOPORUČUJEME. Pokud musíte použít prodlužovací kabel, použijte pouze prodlužovací kabel určený k venkovnímu použití. Tyto kabely jsou označeny značkou „ACCEPTABLE FOR USE WITH OUTDOOR APPLIANCES, STORE INDOORS WHILE NOT IN USE“ (Vhodné pro použití s venkovními spotřebiči. Pokud nepoužíváte, skladujte uvnitř). Používejte pouze prodlužovací kabely s jmenovitými elektrickými parametry minimálně stejnými, jako jsou jmenovité parametry produktu. Před použitím prodlužovací kabel zkontrolujte. NEPOUŽÍVEJTE POŠKOZENÉ PRODLUŽOVACÍ KABELY! Neodpojujte kabel ze zásuvky taháním za kabel – vždy jej odpojte vytážením zástrčky. Udržujte kabel mimo zdrojů tepla a ostrých hran. Před odpojením produktu od prodlužovacího kabelu vždy odpojte prodlužovací kabel ze zásuvky.

**⚠ VAROVÁNÍ!** Aby nedošlo k zasažení elektrickým proudem, udržujte všechna připojení v suchu a mimo zemi. Nedotýkejte se zástrčky mokřými rukama.

- ✿ Nepoužívejte spotřebič, pokud je poškozen napájecí kabel nebo důležité části tohoto spotřebiče, jako například bezpečnostní zařízení, vysokotlaké hadice a spouštěcí pistole.
- ✿ Pokud používáte prodlužovací kabel, musí mít zástrčka a zásuvka vodotěsnou konstrukci.

**⚠ VAROVÁNÍ!** Nevhodné prodlužovací kabely mohou být nebezpečné.

- ✿ Před čištěním nebo údržbou, před výměnou dílů nebo před konverzí přístroje na jinou funkci odpojte zástrčku ze zásuvky.

## 7. SPRÁVNÉ POUŽÍVÁNÍ TOHOTO TLAKOVÉHO ČISTIČE

**TENTO PŘÍSTROJ JE URČEN POUZE K POUŽITÍ SE STUDENOU VODOU!  
NEPOUŽÍVEJTE V TOMTO TLAKOVÉM ČISTIČI HORKOU VODU.**

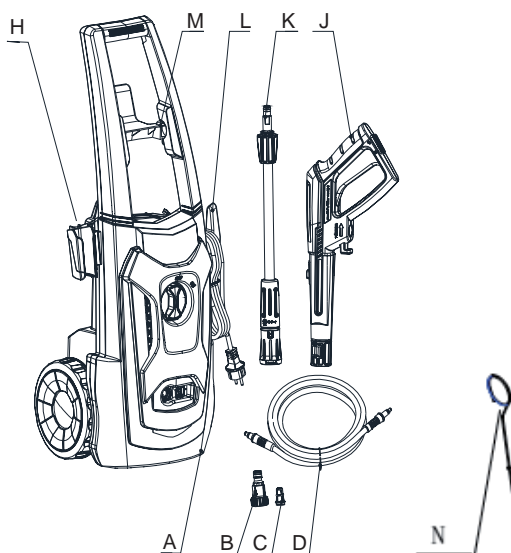
1. Používejte tento tlakový čistič s tlakem tekutiny, který nepřesahuje jmenovitý tlak pro tento tlakový čistič. Nikdy nepoužívejte tento tlakový čistič bez přívodu vody. Používání přístroje bez přívodu vody způsobí nenávratné poškození tohoto přístroje.
2. Zajistěte, aby přívod vody používaný pro tento tlakový čistič nebyl znečištěný, neobsahoval písek ani žádné žíravé chemické produkty. Používání znečištěného přívodu vody negativně ovlivňuje životnost tohoto tlakového čističe.
3. **⚠ UPOZORNĚNÍ** – Tento tlakový čistič lze používat pro množství různých aplikací, včetně umývání aut, lodí, nádvorí, palub, garáží apod. a všude tam, kde je pro odstranění nečistot a úlomků nezbytný vysoký tlak. **Proud vody s vysokým tlakem může v případě nesprávného použití poškodit pracovní povrch!** Viz část s názvem „Pokyny k obsluze“, kde najdete další podrobnosti. Vždy postříkajte nejprve otevřené oblasti.
4. NIKDY nepřemísťujte přístroj taháním za vysokotlakou hadici. Používejte k tomuto účelu rukojeť umístěnou v horní části přístroje.
5. Vždy držte vysokotlakou pistoli a tyč oběma rukama. Jednu ruku držte na pistoli/spoušti, zatímco podepíráte tyč druhou rukou (viz obrázek).
6. Při rozptylování čisticího prostředku aplikuje tlakový čistič tento čisticí prostředek na čišťenou oblast pouze s nízkým tlakem. Po aplikaci čisticího prostředku odstraňte čisticí prostředek z pracovní oblasti pomocí postříkání s využitím nastavitelné trysky.

## 8. POKYNY PRO SESTAVENÍ

### Vybalení z krabice

Po otevření krabice prosím vyjměte všechny díly a zkontrolujte je oproti následujícímu seznamu dodávaných komponentů:

- |                                      |                             |
|--------------------------------------|-----------------------------|
| A. Hlavní tělo vysokotlakého čističe | J. Pistole                  |
| B. Rychlý konektor a filtr (C)       | K. Nastavitelná tryska      |
| L. Háček napájecího kabelu           | M. Háček vysokotlaké hadice |
| D. Vysokotlaká hadice                | N. Čistící kolík            |
| H. Držák pistole                     |                             |

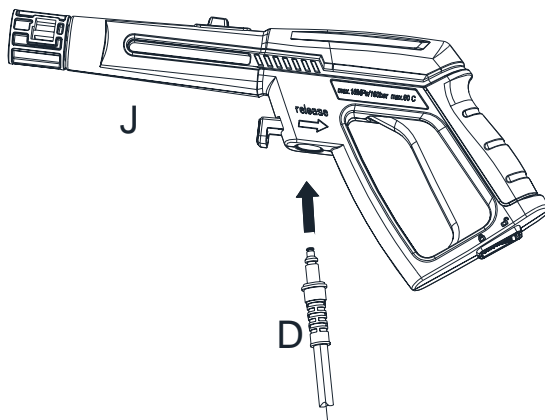


Z důvodu přepravy a balení mohou být některé položky příslušenství dodávány v demontovaném stavu. Postupujte prosím podle pokynů pro sestavení.

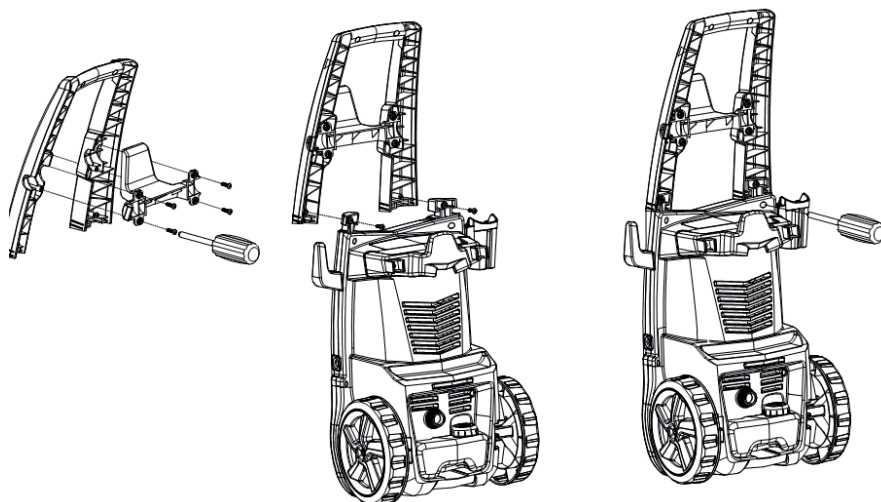


**Krok 1**

Připevněte vysokotlakou hadici (D) k pistoli (J). Vložte ji a rychle ji připojte natěsně, aby nedošlo k úniku. Když jsou tyto kusy správně spojeny, nemůžete oddělit tyto dva komponenty přímým vytažením z pistole. Stiskněte tlačítko pro zajištění spouště a pak můžete vytáhnout vysokotlakou hadici.

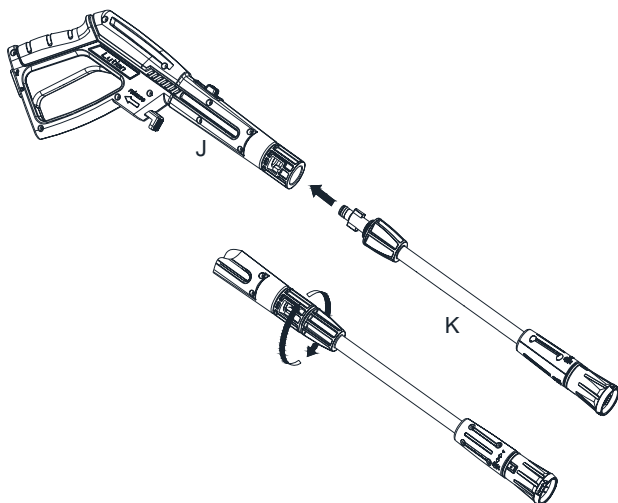
**Krok 2**

Zašroubujte rukojeť čističe těsně k hlavnímu tělu, jak je uvedeno na níže uvedeném obrázku. Šrouby budou zabalený společně s hlavním tělem a proto je při vybalování prosím vyhledejte.

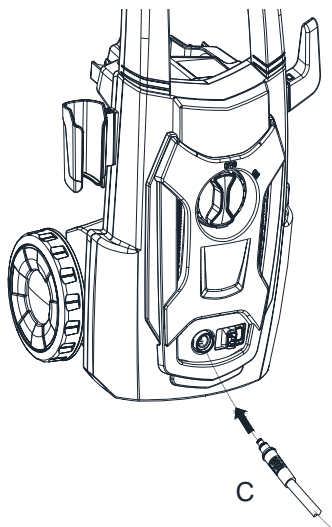


**Krok 3**

Vložte nastavitelnou postříkovací trysku (K) do pistole (J). Zatlačte nastavitelnou trysku do pistole (J) a otočte ji ve směru hodinových ručiček tak, abyste ji ručním dotažením zajistili ve správné poloze. Když jsou tyto kusy spojeny správně, nemůžete oddělit tyto dva komponenty vytažením nastavitelné trysky přímo ven. Aby vše fungovalo, musí být veškeré doplňky vloženy do pistole.

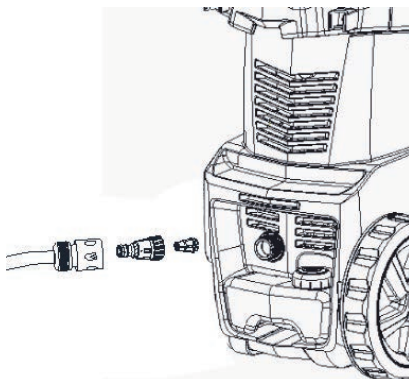
**Krok 4**

Připevněte vysokotlakou hadici (C) k vývodu vody tlakového čističe. Vložte ji a rychle ji připojte natěsno, aby nedocházelo k úniku. Když jsou tyto kusy spojeny správně, nemůžete oddělit tyto dva komponenty přímým vytažením z vývodu vody. Stiskněte „Tlačítko“ ve směru šipky a pak můžete vysokotlakou hadici vytáhnout.



**Krok 5**

Připevněte konektor hadice k vysokotlakému čističi. Před připevněním konektoru k zástrčkové tvarovce odstraňte plastovou krytku, která byla vložena do zástrčkové tvarovky na vysokotlakém čističi před expedicí produktu. Tuto plastovou krytku můžete po odstranění zlikvidovat. Po instalaci obou komponent připevněte zahradní hadici pomocí šroubu konektoru na vysokotlakém čističi. Připojte zahradní hadici k odpadní trubce.



## 9. POKYNY K OBSLUZE

**TENTO PŘÍSTROJ JE URČEN POUZE K POUŽITÍ SE STUDENOU VODOU!  
NEPOUŽÍVEJTE V TOMTO TLAKOVÉM ČISTIČI HORKOU VODU!**

### Spuštění

Po připojení tlakového čističe k přívodu studené vody postupujte následovně:

- ✿ Ujistěte se, že je vypínač ON/OFF v poloze OFF (Vypnuto).
  - ✿ Připojte zahradní hadici ke vstupní tvarovce.
  - ✿ Připevněte hadici k pistoli podle kroku č. 1 pokynů pro sestavení.
  - ✿ Vložte nastavitelnou postřikovací trysku do pistole podle kroku sestavení č. 3.
  - ✿ Připojte vysokotlakou hadici k vysokotlaké výstupní tvarovce podle kroku sestavení č. 4.
  - ✿ Připojte zahradní hadici k vstupní tvarovce vysokotlakého čističe podle kroku sestavení č. 5.
  - ✿ Otevřete zcela ventil přívodu vody.
  - ✿ Před zapnutím přístroje stiskněte spoušť pistole pro odstranění veškerého zbývajícího vzduchu z čerpadla a hadice.
  - ✿ Spusťte tlakový čistič přepnutím vypínače on/off do polohy on (zapnuto) a zmáčkněte spoušť.
- PŘÍPOMENUTÍ:** Motor neběží nepřetržitě, pouze při zmáčknutí spoušti.

### ⚠ VAROVÁNÍ!

**NEBEZPEČÍ VSTRÍKNUTÍ!** Po zmáčknutí spouště začne přístroj stříkat. Když po ukončení používání přístroj vypnete, bude uvnitř hadice a přístroje stále existovat vysoký tlak. Nasměrujte pistoli bezpečným směrem a uvolněte nadbytečný tlak. NIKDY nesměrujte proud vody s vysokým tlakem na osoby nebo zvířata.

### Automatické zapnutí/vypnutí

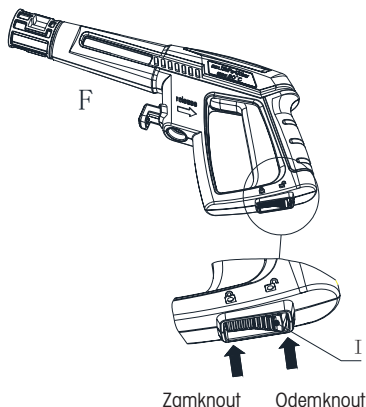
Tento tlakový čistič je vybaven automatickým vypínačem. Tlakový čistič se spustí pouze tehdy, když je vypínač napájení v poloze ON (Zapnuto) a je zmáčknutá spoušť na pistoli. Když uvolníte spoušť pro zastavení stříkání vody pomocí pistole, motor na tlakovém čističi se automaticky vypne. Pro pokračování v používání čističe spoušť jednoduše znovu zmáčkněte. Pro ukončení používání tohoto tlakového čističe uvolněte spoušť a přepněte přístroj do polohy OFF (Vypnuto). Během doby, kdy přístroj nepoužíváte nebo kdy je přístroj bez dozoru, jej zcela vypněte (OFF).

### Odvzdušnění pistole

Před použitím tohoto tlakového čističe je velmi důležité pistoli odvzdušnit. Návod k sestavení tohoto tlakového čističe najdete v části „Pokyny pro sestavení“. Pro odvzdušnění pistole jednoduše připojte zahradní hadici k tlakovému čističi a zmáčkněte spoušť PŘED zapnutím dodávky elektrické energie. To umožňuje před použitím tohoto přístroje uvolnit vzduch uzavřený uvnitř tlakového čističe a pistole. Podržte spoušť po dobu přibližně jedné minuty, aby se mohl nadbytečný vzduch uvolnit z přístroje. Během této procedury bude přístrojem pod nízkým tlakem téct voda. Další tipy k odvzdušnění najdete v části s názvem „Pokyny k obsluze“.

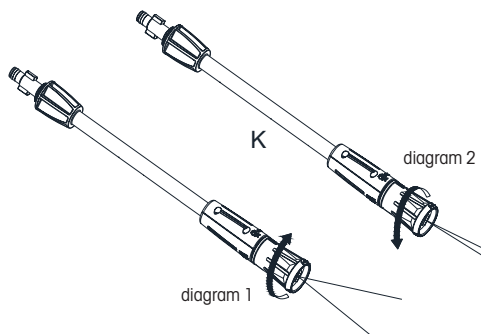
## Bezpečnostní zámek pistole

Tento tlakový čistič je vybaven bezpečnostním zámkem spouště pistole. Když tlakový čistič nepoužíváte, použijte bezpečnostní zámek pro zamezení náhodné aktivaci vysokotlakého postříku.



## Nastavitelná postřikovací tryska

Nastavitelná tryska vám umožňuje používat různé vzory postříku od plného vějířového postříku (Obrázek 1) až po přímý proud postříku (Obrázek 2). Během používání tohoto vysokotlakého čističe pro čištění dřevěných palub, obkladů, vozidel apod. vždy začněte používáním vějířového postříku minimálně ze vzdálenosti 90 cm (36"), aby nedošlo k poškození povrchu čištěného materiálu. Vždy začínejte postříkem testovací oblasti, kde se nevyskytují jiné osoby a předměty.

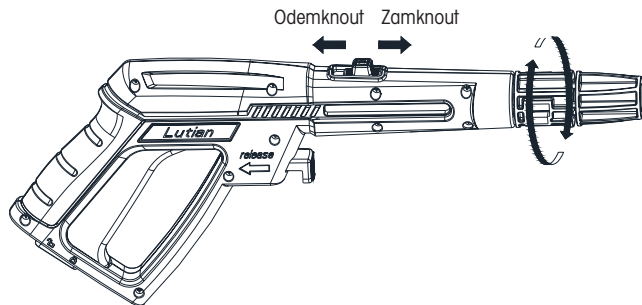


**⚠ VAROVÁNÍ!** Vysokotlaký proud může být v případě nesprávného použití nebezpečný. Je zakázáno směřovat trysku na osoby, elektrická zařízení pod proudem nebo samotný spotřebič.

☼ Nesměřujte trysku na sebe ani jiné osoby za účelem čištění oblečení nebo obuvi.

## Otočení pistole

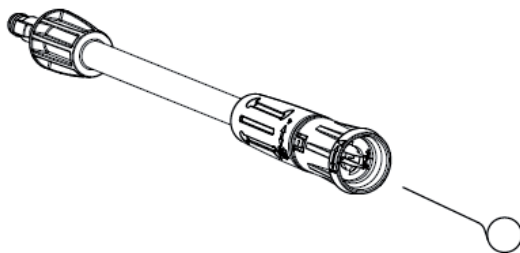
Otočení pistole upraví úhel čištění během používání vzoru plného vějířového postříku, aby si mohl každý uživatel najít nejpohodlnější a nejúčinnější polohu čištění. Stiskněte tlačítko pro „odemknutí“ boku a aktivaci funkce otočení. A stiskněte tlačítko pro „odemknutí“ boku, pokud tuto funkci nechcete používat.



## Odemknutí násadce

Když je tryska ucpaná, způsobí nárůst tlaku v čerpadle a může způsobit ráz přístroje. V takové situaci můžete trysku vyčistit vložením jehly do hrotu za účelem odstranění nánosů.

U nastavitelné trysky můžete pravidelně mazat límeč trysky (vysoký tlak na nízký tlak) pomocí maziva nerozpustného ve vodě.





## 10. POUŽÍVÁNÍ ČISTICÍCH PROSTŘEDKŮ

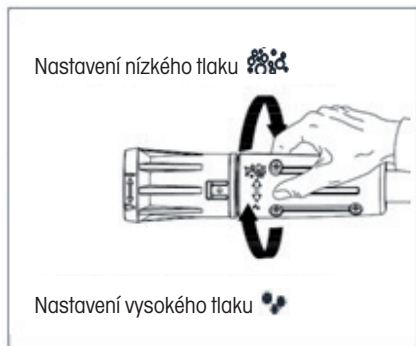
**TENTO TLAKOVÝ ČISTIČ DÁVkuje ČISTICÍ PROSTŘEDEK POD NÍZKÝM TLAKEM. PRO OPLÁCHNUTÍ NAČISTO POUŽIJTE NASTAVITELNOU POSTŘIKOVACÍ TRYSKU.**

**BIOLOGICKY ODBOURATELNÉ ČISTICÍ PROSTŘEDKY JSOU SPECIÁLNĚ VYTVOŘENY TAK, ABY CHRÁNILY ŽIVOTNÍ PROSTŘEDÍ A VAŠ TLAKOVÝ ČISTIČ.**

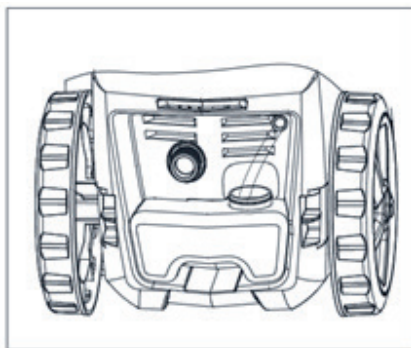
**TYTO ČISTICÍ PROSTŘEDKY NEUCPÁVAJÍ FILTR A CHRÁNÍ VNITŘNÍ ČÁSTI TLAKOVÉHO ČISTIČE ZA ÚČELEM PRODLOUŽENÍ JEHO ŽIVOTNOSTI.**

Vestavěný dávkovač čisticího prostředku umožňuje aplikovat mnoho forem tekutého čisticího prostředku na pracovní povrch. Aplikace čisticího prostředku probíhá pouze za nízkého tlaku. Vložte nastavitelnou trysku do pistole a otočte ji ke konci „“ tak, aby byl vysokotlaký čistič v režimu nízkého tlaku (viz níže uvedený Obrázek A). Odstraňte krytku na nádržce čisticího prostředku a naplňte ji výhradně tekutým čisticím prostředkem (viz níže uvedený Obrázek B). Nelijte do této nádržky žádnou vodu. Vysokotlaký čistič smíchá vodu a čisticí prostředek automaticky. Po dokončení aplikace čisticího prostředku na pracovní povrch ji otočte směrem ke konci „“ nastavitelné trysky a vystříkejte čisticí prostředek pomocí vysokotlakého postřiku (viz níže uvedený Obrázek A). V režimu vysokého tlaku nebude vysokotlaký čistič vydávat čisticí prostředek.

Obr. A



Obr. B



### **⚠ VAROVÁNÍ!**

NIKDY NEPOUŽÍVEJTE PRODUKTY S BĚLIDLY, CHLÓREM NEBO JAKÝMKOLI JINÝMI ŽÍRAVÝMI MATERIÁLY, VČETNĚ TEKUTIN OBSAHUJÍCÍCH ROZPOUŠTĚDLA (TJ. PLYNY, OLEJI APOD.), PRODUKTY S FOSFOREČNANEM SODNÝM, ČPAVKEM NEBO ČISTICÍMI PROSTŘEDKY NA BÁZI KYSELIN. TYTO CHEMIKÁLIE BY PŘÍSTROJ POŠKODILY A ZPŮSOBILY BY ROVNĚŽ POŠKOZENÍ ČIŠTĚNÉHO POVRCHU. VŽDY ČTĚTE INFORMACE NA ŠTÍTCÍCH.

# 11. ČIŠTĚNÍ A SKLADOVÁNÍ

## Vypnutí tohoto tlakového čističe

### **PO UKONČENÍ POUŽÍVÁNÍ TOHOTO TLAKOVÉHO ČISTIČE PROVEĎTE TYTO KROKY PRO VYPNUTÍ PŘÍSTROJE:**

- ✿ Přepněte tlakový čistič do polohy OFF (Vypnuto).
- ✿ Uzavřete přívod vody.
- ✿ Před odpojením spojení vysokotlaké hadice nasměrujte pistoli bezpečným směrem a vypusťte vodu s vysokým tlakem.
- ✿ Odpojte vysokotlakou hadici z tlakového čističe a pistole.
- ✿ Odpojte zahradní hadici z tlakového čističe.
- ✿ Odstraňte ze zahradní hadice tvarovku rychlospojky a připevňte ji k vsuvce tvarovky nainstalované na tlakovém čističi pro uskladnění.
- ✿ Odstraňte z čerpadla nadbytečnou vodu naklopením přístroje na obou stranách pro vylití veškeré zbývající vody ze vstupních a výstupních tvarovek.
- ✿ Odstraňte filtr přívodu vody a opláchněte jej vodou pro odstranění nečistot a úlomků. Po vyčištění vraťte filtr zpět.
- ✿ Vypusťte nádržku na čisticí prostředek a vypláchněte ji tekoucí vodou.
- ✿ Utřete veškerou zbývající vodu na všech dílech a tvarovkách.
- ✿ Aktivujte bezpečnostní zámek pistole.
- ✿ Skladujte tlakový čistič, díly a příslušenství v místě s teplotou nad 0 °C (32 °F).

### **PROVEĎTE VŠECHNY VÝŠE UVEDENÉ POKYNY PRO VYPNUTÍ A NAVÍC TAKÉ NÁSLEDUJÍCÍ KROKY...**

- ✿ Po odpojení přívodu vody a před odpojením vysokotlaké hadice zapněte tlakový čistič na **2–3 sekundy**, dokud neodstraníte z čerpadla jakoukoli zbývající vodu.

### **OKAMŽITĚ PŘÍSTROJ VYPNĚTE. POKRAČOVÁNÍ V POUŽÍVÁNÍ TOHOTO TLAKOVÉHO ČISTIČE BEZ PŘIPOJENÉHO PŘÍVODU VODY ZPŮSOBÍ VÁŽNÉ POŠKOZENÍ PŘÍSTROJE!**

- ✿ Vždy skladujte tlakový čistič, díly a příslušenství v místě s teplotou nad 0 °C (32 °F).

### **⚠ VAROVÁNÍ!**

V PŘÍPADĚ NEDODRŽENÍ TĚCHTO POKYŇŮ PRO SKLADOVÁNÍ MŮŽE DOJÍT K POŠKOZENÍ CELKU ČERPADLA.



## 12. ÚDRŽBA

- ✿ Tento tlakový čistič je dodáván s uzavřeným systémem mazání, takže není nutno přidávat žádný olej.
- ✿ Před použitím zkontrolujte, zda nedošlo k poškození všech hadic a příslušenství.
- ✿ Pravidelně kontrolujte nánosy na vstupním filtru. Pravidelně tento filtr čistěte pro zajištění maximálního výkonu.

### TIPY PRO ČIŠTĚNÍ

#### ⚠ VAROVÁNÍ!

PŘED STŘÍKÁNÍM NA CÍLOVÝ ČIŠTĚNÝ PОВRCH VŽDY OTESTUJTE POSTŘÍK V OBLASTI BEZ POHYBU OSOB A VÝSKYTU PŘEDMĚTŮ.

#### Dřevěné a vinylové paluby

Opláchněte palubu a okolí pitnou vodou. Pokud používáte čisticí prostředek, naplňte nádržku čisticího prostředku a aplikujte jej pod nízkým tlakem na čišťenou oblast. Pro optimální výsledky rozdělte pracovní oblast na menší sekce a postupně je očistěte. Nechte čisticí prostředek několik minut působit na povrch a pak povrch opláchněte vysokým tlakem. NENECHTE ČISTICÍ PROSTŘEDEK USCHNOUT. Pro dosažení nejlepších výsledků vždy čistěte zleva doprava a shora dolů. Opláchněte vysokým tlakem **pomocí vějířového postříku** tak, že budete držet hrot postříkovací trysky alespoň 15–22 cm (6–9 in) od čišťeného povrchu. Při použití přímého postříku udržujte větší vzdálenost od čišťené oblasti.

⚠ **UPOZORNĚNÍ!** U jemnějších druhů dřeva zvyšte vzdálenost od čišťené oblasti.

#### Betonová nádvoří, kámen a cihla

Opláchněte čišťené místo a okolí pitnou vodou. Pokud používáte čisticí prostředek, naplňte nádržku čisticího prostředku a aplikujte jej pod nízkým tlakem na čišťenou oblast. Opláchněte vysokým tlakem **pomocí vějířového postříku** kývavým ohybem tak, že budete držet hrot postříkovací trysky alespoň 7–15 cm (3–6 in) od čišťeného povrchu. Při použití přímého postříku udržujte větší vzdálenost od čišťené oblasti.

#### Autá, lodě a motocykly

Opláchněte čišťené místo a okolí pitnou vodou. Pokud používáte čisticí prostředek, naplňte nádržku čisticího prostředku a aplikujte jej pod nízkým tlakem na čišťenou oblast. Pro dosažení nejlepších výsledků čistěte současně pouze jednu stranu. Nechte čisticí prostředek několik minut působit na povrch, ale nenechte jej uschnout. Opláchněte vysokým tlakem **pomocí vějířového postříku** kývavým ohybem tak, že budete držet hrot postříkovací trysky alespoň 20 cm (8 in) od čišťeného povrchu. Při použití přímého postříku udržujte větší vzdálenost od čišťené oblasti. U leštěného povrchu utřete povrch dosucha.

#### Barbecue grily, energetická zařízení a zahradní nástroje

Opláchněte čišťené místo a okolí pitnou vodou. Pokud používáte čisticí prostředek, naplňte nádržku čisticího prostředku a aplikujte jej pod nízkým tlakem na čišťenou oblast. Nechte čisticí prostředek několik minut působit na povrch, ale nenechte jej uschnout. Opláchněte vysokým tlakem **pomocí vějířového postříku** tak, že budete držet hrot postříkovací trysky alespoň 2–7 cm (1–3 in) od čišťeného povrchu. Při použití přímého postříku udržujte větší vzdálenost od čišťené oblasti.

## 13. TECHNICKÉ ÚDAJE

Jmenovité napětí	AC 220 - 240 V
Jmenovitý kmitočet	50/60 Hz
Jmenovitý příkon	1600 W
Jmenovitý tlak	90 barů (9 MPa)
Maximální tlak	130 barů (13 Mpa)
Jmenovitý průtok	6 l/min
Maximální průtok	7 l/min
Max. teplota přívodu vody	50 °C
Stupeň ochrany	II.
Hmotnost	7,3 Kg
Maximální vstupní tlak vody v pascalech	1,2 Mpa
Úroveň akustického tlaku (K = 3 dB (A)): $L_{pA}$	79 dB
Úroveň akustického výkonu (K = 3 dB (A)): $L_{pA}$	90 dB

### ZÁRUKA

Viz přiložené záruční podmínky, kde najdete podmínky záruky.

### ŽIVOTNÍ PROSTŘEDÍ

Pokud je vaše zařízení po delší době používání potřeba vyměnit, nevyhazujte jej do domácího odpadu, ale zlikvidujte jej ekologicky šetrným způsobem.

## 14. TIPY PRO ŘEŠENÍ PROBLÉMŮ

### KDYŽ JE PŘEPÍNAČ V POLOZE „I“ A PŘÍSTROJ SE NESPUSTÍ

PRÁVDĚPODOBNÁ PŘÍČINA	ŘEŠENÍ
Vadná elektrická zásuvka	Zkontrolujte zástrčku, zásuvku a pojistky
Nedostatečné napětí	Zkontrolujte, zda je napětí dostatečné
Napájecí kabel není připojen	Připojte napájecí kabel

### ČERPADLO NEDOSAHUJE DOSTATEČNÉHO TLAKU NEBO KOLÍSÁ

PRÁVDĚPODOBNÁ PŘÍČINA	ŘEŠENÍ
Filtr přívodu vody je ucpaný	Vyjměte a vyčistěte filtr
Čerpadlo čerpá vzduch	Utěsněte spojení / odvzdušněte systém
Sací ventily jsou ucpané/opotřebené	Očistěte nebo vyměňte ventily
Průměr zahradní hadice je příliš malý	Nahraďte ji za zahradní hadici s průměrem 3/4 palců
Přívod vody je omezen	Zkontrolujte, zda se na hadici netvoří uzly nebo trhliny
Nedostatečný přívod vody	Plně otevřete zdroj vody

### TLAKOVÝ ČISTIČ MÁ NEBO NEUDRŽUJE TLAK

PRÁVDĚPODOBNÁ PŘÍČINA	ŘEŠENÍ
Nadměrný vzduch ve vodovodním potrubí a čerpadle	Vypněte přístroj a přívod vody/ Odvzdušněte systém / Podržte spoušť

### ČISTIČ TLAKU VYDÁVÁ NADMĚRNÝ HLUK

PRÁVDĚPODOBNÁ PŘÍČINA	ŘEŠENÍ
Blokovaný přívod	Zkontrolujte vstupní ventily
Ventily jsou opotřebené, znečištěné nebo ucpané	Zkontrolujte, očistěte nebo vyměňte ventily
Filtr je znečištěný	Zkontrolujte, očistěte nebo vyměňte filtr

### MOTOR SE BĚHEM POUŽÍVÁNÍ ZASTAVUJE

PRÁVDĚPODOBNÁ PŘÍČINA	ŘEŠENÍ
Síťové napětí je nižší, než je potřeba	Zkontrolujte, zda je napětí dostatečné

# 15. LIKVIDACE



Toto nářadí, nabíjecí baterie, příslušenství a obaly musí být tříděny, aby byla zajištěna jejich ekologická recyklace.

Nevyhazujte elektrické nářadí a baterie nebo nabíjecí baterie do běžného domácího odpadu!

## Pouze pro země z Evropské unie:



Podle evropské směrnice 2012/19/EU musí být elektrické nářadí, které již není dále používáno, a v souladu s evropskou směrnicí 2006/66/EC, musí být vadné nebo použité sady baterií/baterie, sbírány odděleně a likvidovány způsobem šetrným k životnímu prostředí.

### POKYNY A INFORMACE K LIKVIDACI VYŘAZENÝCH OBALOVÝCH MATERIÁLŮ

Odevzdejte veškerý použitý obalový materiál na místě, které je určeno místními úřady pro likvidaci odpadu.

### LIKVIDACE VYŘAZENÝCH ELEKTRICKÝCH A ELEKTRONICKÝCH ZAŘÍZENÍ



Tento symbol na výrobcích nebo v příložené dokumentaci znamená, že vyřazená elektrická nebo elektronická zařízení nesmí být vyhazována do běžného komunálního odpadu. Odevzdejte tyto výrobky na určených sběrných místech, kde bude provedena jejich správná likvidace, obnova a recyklace. V některých státech Evropské unie nebo v některých evropských zemích můžete při nákupu odpovídajícího nového výrobku vrátit vaše výrobky místnímu prodejci. Správnou likvidací tohoto výrobku pomáháte chránit cenné přírodní zdroje a zabráníte možným negativním dopadům na životní prostředí a lidské zdraví, ke kterým by mohlo dojít v důsledku nesprávné likvidace odpadu. Další podrobnosti vám poskytnou místní úřady nebo nejbližší sběrný dvůr. V případě nesprávné likvidace tohoto druhu odpadu mohou být uloženy pokuty v souladu s platnými národními předpisy.

#### Pro společnosti, které působí v zemích Evropské unie

Chcete-li zlikvidovat elektrická nebo elektronická zařízení, vyžádejte si potřebné informace od vašeho prodejce nebo dodavatele.

#### Likvidace v zemích mimo Evropskou unii

Chcete-li tento výrobek zlikvidovat, požádejte místní úřady nebo prodejce o nezbytné informace o způsobu likvidace.



Tento výrobek splňuje všechny základní požadavky všech příslušných směrnic EU.

Text, design a technické specifikace se mohou změnit bez předchozího upozornění a vyhrazujeme si právo na provádění těchto změn.

Uživatelské příručka v originálním jazyce.

## 16. PROHLÁŠENÍ O SHODĚ

**FAST**<sup>®</sup>

**FAST ČR, a.s.**  
 Černokostecká 1621, 251 01 Říčany, Czech Republic  
 tel.: +420 323 204 111, fax: +420 323 204 110

**EU PROHLÁŠENÍ O SHODĚ**

**Produkt/ značka:** Elektrický vysokotlaký čistič / **FIELDMANN**

**Typ/ model:** **FDW 201602-E** jako výrobní model LT502-1600B  
 AC 220-240 V; 50/60 Hz; 1600 W, 6l/min, 9Mpa, IPX5, Třída II  
 naměřená hladina akustického výkonu: LPA= 88,3 dB(A)  
 garantovaná hladina akustického výkonu: LWA= 90 dB(A)

**Výrobce:** FAST ČR, a.s.  
 Černokostecká 2111, 100 00 Praha 10, Czech Republic  
 VAT no: CZ26726548

**Výrobek je ve shodě s níže uvedenými směrniciemi a nařízeními:**

Directive MD 2006/42/EC  
 Directive EMC 2014/30/EU  
 Directive NOISE 2000/49/EC  
 Directive RoHS 2011/65/EU

**a normami:**

EN 60335-1:2012+A11+A13  
 EN 60335-2-79:2012  
 EN 62233:2008  
 EN 55014-1:2017  
 EN 55014-2:2015  
 EN 61000-3-2:2014  
 EN 61000-3-3:2013

**Vydáno v :** Praha**Jméno:** Ing. Zdeněk Pech  
Chairman of the Board**Datum vydání:** 4. 9. 2020**Podpis:**

**FAST**<sup>®</sup> FAST ČR, a.s.  
 Černokostecká 1621, 251 01 Říčany  
 IČO: 26726548 tel.: +420/ 323 204 111  
 DIČ: CZ26726548 fax: +420/ 323 204 110

IČO: 26 72 65 48, DIČ: CZ-26 72 65 48

**Bankovní spojení:** Komerční banka Praha 1, č.ú. 89309011/0100, Česká spořitelna Praha 4, č.ú. 2375682/0800,  
 CSOB Praha 1, č.ú. 8010-0116233583/0300



# Vysokotlakový čistič

## POUŽÍVATEĽSKÁ PRÍRUČKA

**Ďakujeme vám za kúpu tohto vysokotlakového čističa. Pred jeho použitím si, prosím, pozorne prečítajte túto používateľskú príručku a uschovajte ju na prípadné neskoršie použitie**

## OBSAH

1. DÔLEŽITÉ BEZPEČNOSTNÉ TIPY .....	48
2. DÔLEŽITÉ BEZPEČNOSTNÉ OPATRENIA.....	48
3. VŠEOBECNÉ BEZPEČNOSTNÉ OPATRENIA.....	49
4. SYMBOLY .....	50
5. SERVIS SPOTREBIČOV S DVOJITOU IZOLÁCIOU.....	52
6. POUŽÍVANIE PREDLŽOVACÍCH KÁBLOV .....	52
7. SPRÁVNE POUŽÍVANIE TOHTO TLAKOVÉHO ČISTIČA.....	53
8. POKYNY NA ZOSTAVENIE .....	54
9. POKYNY NA OBSLUHU.....	58
10. POUŽÍVANIE ČISTIACICH PROSTRIEDKOV.....	61
11. ČISTENIE A SKLADOVANIE .....	62
12. ÚDRŽBA.....	63
13. TECHNICKÉ ÚDAJE.....	64
14. TIPY NA RIEŠENIE PROBLÉMOV.....	65
15. LIKVIDÁCIA.....	66

# 1. DÔLEŽITÉ BEZPEČNOSTNÉ TIPY

**Nikdy** nemierte vysokotlakovou dýzou na osoby alebo zvieratá.

**Nikdy** počas používania tohto tlakového čističa nepite alkohol a nepoužívajte drogy.

**Nikdy** nepoužívajte tento tlakový čistič, ak stojíte vo vode.

**Nikdy** sa nedotýkajte elektrickej zástrčky mokrými rukami.

**Nikdy** nenechávajte elektrické pripojenia ležať vo vode.

**Nikdy** nepoužívajte tento tlakový čistič bez toho, aby ste zapli vodu.

**Nikdy** nepoužívajte v tomto tlakovom čističi horúcu vodu.

# 2. DÔLEŽITÉ BEZPEČNOSTNÉ OPATRENIA

**⚠ VAROVANIE!** Počas používania tohto produktu je nutné vždy dodržiavať základné bezpečnostné opatrenia, vrátane nasledujúcich:

1. Pred použitím tohto produktu si prečítajte všetky pokyny. Uschovajte všetky bezpečnostné pokyny.
2. Nepoužívajte tento tlakový čistič, ak cítite únavu alebo ste pod vplyvom alkoholu či drog.
3. Nebezpečenstvo vstreknutia alebo zranenia – nesmerujte prúd vody s vysokým tlakom na osoby alebo zvieratá.
4. Nikdy nedovoľte, aby tento tlakový čistič používali deti.
5. Aby bolo minimalizované nebezpečenstvo, je pri použití tohto tlakového čističa v blízkosti detí nutný prísny dohľad.
6. Naučte sa, ako tento prístroj zastaví a ako okamžite znížiť tlak. Naučte sa dokonale používať ovládacie prvky.
7. Buďte ostražití – vždy si buďte vedomí, kam smerujete vysokotlakový postrek.
8. Udržujte všetky osoby mimo oblasti čistenia.
9. Neustále udržiujte pevný postoj a rovnováhu – nepreceňujte svoje sily a nestojte na nestabilnej podpere.
10. Pracovná oblasť by mala mať zodpovedajúci odtok, aby sa znížilo nebezpečenstvo pádu v dôsledku klzkého povrchu.
11. Dodržujte pokyny pre údržbu uvedené v tejto príručke.
12. Aby nedošlo k zasiahnutiu elektrickým prúdom, udržiujte všetky pripojenia v suchu a mimo zeme. Nedotýkajte sa zástrčky mokrými rukami.



### 3. VŠEOBECNÉ BEZPEČNOSTNÉ OPATRENIA

1. Určené iba na vonkajšie použitie v domácnostiach.
2. Vo vysokotlakovej hadici sa môžu v dôsledku opotrebenia, nesprávneho použitia, zamotania a pod. objaviť trhliny. Nepoužívajte poškodenú hadicu.
3. Nepoužívajte tento tlakový čistič v miestach v blízkosti horľavých materiálov, horľavých plynov alebo prachu.
4. Niektoré chemikálie alebo čistiace prostriedky môžu byť v prípade vdýchnutia alebo prehĺtnutia škodlivé a môžu spôsobiť vážne zranenia. Ak hrozí nebezpečenstvo vdýchnutia výparov, vždy použite respirátor alebo masku. Prečítajte si všetky pokyny dodávané k maske, aby ste mali istotu, že maska poskytuje nevyhnutnú ochranu pred vdýchnutím škodlivých výparov.
5. Pred spustením tohto tlakového čističa za chladného počasia skontrolujte všetky časti tohto zariadenia a uistite sa, že sa na ňom nevytvoril ľad. Neskladujte tento prístroj v miestach, kde teplota klesá pod 0 °C (32 °F).
6. NEVYKONÁVAJTE ŽIADNE ÚPRAVY AKÝCHKOL'VEK KOMPONENTOV! Prístroje s rozbitými alebo chýbajúcimi dielmi alebo bez ochranných krytov či puzdiel NIKDY nepoužívajte
7. Počas tlakovania systému udržiajte vysokotlakovú hadicu pripojenú k tlakovému čističu a striekacej pištoľi. Odpojenie hadice počas tlakovania prístroja je nebezpečné a môže spôsobiť zranenie.
8. Keď je vypínač napájania zapnutý (ON), nenechávajte tlakový čistič bez dozoru.
9. Udržujte vodný postrek mimo elektrickej inštalácie, inak môže dôjsť k smrteľnému úrazu elektrickým prúdom.

## 4. SYMBOLY

Štítky na vašich nástrojoch a v návode môžu zobrazovať symboly. Predstavujú dôležité informácie o produkte alebo pokyny na jeho používanie.



Indikuje potenciálne nebezpečenstvo zranenia osôb.



Konštrukcia s dvojitou izoláciou



Nevystavujte dažďu a nepoužívajte vo vlhkom prostredí.



Na minimalizáciu nebezpečenstva zranenia si používatelia musia prečítať používateľskú príručku a porozumieť uvedeným pokynom ešte pred použitím tohto produktu.



Počas používania tohto produktu vždy používajte bezpečnostné okuliare s bočnou ochranou a v prípade potreby aj celotvárový štít.



Na minimalizáciu nebezpečenstva vstreknutia alebo zranenia nikdy nesmerujte prúd vody na osoby alebo zvieratá, a nestrkajte do tohto prúdu žiadnu časť tela. Presakujúce hadice a tvarovky môžu takisto spôsobiť zranenie vstreknutím.

Nedržte hadice alebo tvarovky.



Na minimalizáciu nebezpečenstva zranenia spätným rázom držte pri zapnutom prístroji postrekovací násadec bezpečne oboma rukami.



Ak nebudete prístroj používať za sucha alebo nebudete dodržiavať bezpečnostné pokyny, môže dôjsť k úrazu elektrickým prúdom.



**Varovanie! Nikdy nesmerujte pištoľ na osoby, zvieratá, časti tela, zdroje energie alebo akékoľvek elektrické spotrebiče.**



Prístroj nie je určený na pripojenie k sieti s pitnou vodou.



Vyradené elektrické produkty nevyhadzujte do domového odpadu, ale odnesť ich do zberného dvora na recykláciu. Informácie o možnostiach recyklácie vám poskytnú miestne úrady alebo predajca.

## 5. SERVIS SPOTREBIČOV S DVOJITOU IZOLÁCIOU

Pri produkte s dvojitou izoláciou sú namiesto uzemnenia k dispozícii dva systémy izolácie. Na produkte s dvojitou izoláciou nie sú žiadne prostriedky na uzemnenie, ani by sa k takému produktu nemal pripájať žiadny prostriedok na uzemnenie. Servis produktu s dvojitou izoláciou vyžaduje mimoriadnu opatrnosť a znalosti systému, a mal by ho vykonávať iba kvalifikovaný servisný technik. Náhradné diely pre produkt s dvojitou izoláciou musia byť rovnaké, ako nahradzované diely. Produkt s dvojitou izoláciou je označený slovami „DOUBLE INSULATION“ (Dvojitá izolácia) alebo „DOUBLE INSULATED“ (Dvojito izolovaný).

Na produkte môže byť tiež vyznačený tento  symbol.

## 6. POUŽÍVANIE PREDLŽOVACÍCH KÁBLOV

Používanie predlžovacieho kábla pri tomto produkte NEODPORÚČAME. Ak musíte použiť predlžovací kábel, použite iba predlžovací kábel určený na vonkajšie použitie. Tieto káble sú označené značkou „ACCEPTABLE FOR USE WITH OUTDOOR APPLIANCES, STORE INDOORS WHILE NOT IN USE“ (Vhodné na použitie s vonkajšími spotrebičmi. Ak nepoužívate, skladujte vnútri). Používajte iba predlžovacie káble s menovitými elektrickými parametrami minimálne rovnakými, ako sú menovité parametre produktu. Pred použitím predlžovací kábel skontrolujte. NEPOUŽÍVAJTE POŠKODENÉ PREDLŽOVACIE KÁBLE! Neodpájajte kábel od zásuvky ťahaním za kábel – vždy ho odpojte vytiahnutím zástrčky. Udržujte kábel mimo zdrojov tepla a ostrých hrán. Pred odpojením produktu od predlžovacieho kábla vždy odpojte predlžovací kábel od zásuvky.

**⚠ VAROVANIE!** Aby nedošlo k zasiahnutiu elektrickým prúdom, udržiajte všetky pripojenia v suchu a mimo zeme. Nedotýkajte sa zástrčky mokrými rukami.

- ☼ Nepoužívajte spotrebič, ak je poškodený napájací kábel alebo dôležité časti tohto spotrebiča, ako napríklad bezpečnostné zariadenia, vysokoťlakové hadice a spúšťacie pištole.
- ☼ Ak používate predlžovací kábel, musí mať zástrčka a zásuvka vodotesnú konštrukciu.

**⚠ VAROVANIE!** Nevhodné predlžovacie káble môžu byť nebezpečné.

- ☼ Pred čistením alebo údržbou, pred výmenou dielov alebo pred konverziou prístroja na inú funkciu odpojte zástrčku od zásuvky.

## 7. SPRÁVNE POUŽÍVANIE TOHTO TLAKOVÉHO ČISTIČA

**TENTO PRÍSTROJ JE URČENÝ IBA NA POUŽITIE SO STUDENOU VODOU!  
NEPOUŽÍVAJTE V TOMTO TLAKOVOM ČISTIČI HORÚCU VODU.**

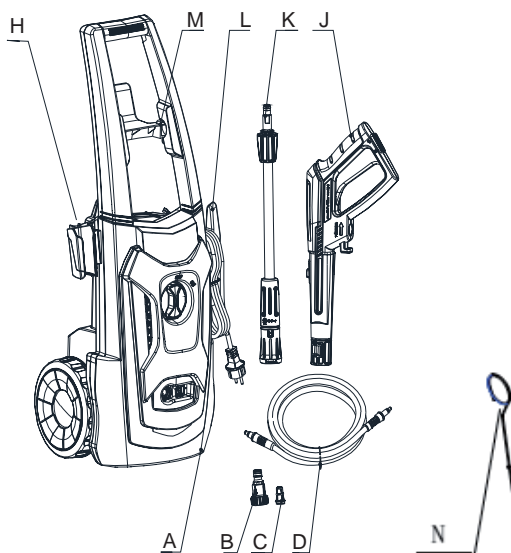
1. Používajte tento tlakový čistič s tlakom tekutiny, ktorý nepresahuje menovitý tlak pre tento tlakový čistič. Nikdy nepoužívajte tento tlakový čistič bez prívodu vody. Používanie prístroja bez prívodu vody spôsobí nenávratné poškodenie tohto prístroja.
2. Zaisťte, aby prívod vody používaný pre tento tlakový čistič nebol znečistený, neobsahoval piesok ani žiadne žieravé chemické produkty. Používanie znečisteného prívodu vody negatívne ovplyvňuje životnosť tohto tlakového čističa.
3. **⚠ UPOZORNENIE** – Tento tlakový čistič je možné používať na množstvo rôznych aplikácií, vrátane umývania áut, lodí, nádvorí, palúb, garáží a pod. a všade tam, kde je na odstránenie nečistôt a úlomkov nevyhnutný vysoký tlak.  
**Prúd vody s vysokým tlakom môže v prípade nesprávneho použitia poškodiť pracovný povrch!** Pozrite časť s názvom „Pokyny na obsluhu“, kde nájdete ďalšie podrobnosti. Vždy postrek najprv otestujte v otvorenej oblasti.
4. NIKDY nepremiestňujte prístroj fahaním za vysokotlakovú hadicu. Používajte na tento účel rukoväť umiestnenú v hornej časti prístroja.
5. Vždy držte vysokotlakovú pištoľ a tyč oboma rukami. Jednu ruku držte na pištoľi/spúšti, zatiaľ čo podopierate tyč druhou rukou (pozrite obrázok).
6. Pri rozptyľovaní čistiaceho prostriedku aplikuje tlakový čistič tento čistiaci prostriedok na čistenú oblasť iba s nízkym tlakom. Po aplikácii čistiaceho prostriedku odstráňte čistiaci prostriedok z pracovnej oblasti pomocou postreku s využitím nastaviteľnej dýzy.

## 8. POKYNY NA ZOSTAVENIE

### Vybalenie zo škatule

Po otvorení škatule, prosím, vyberte všetky diely a skontrolujte ich oproti nasledujúcemu zoznamu dodávaných komponentov:

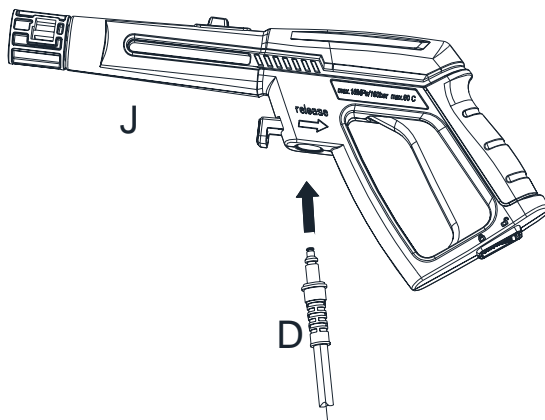
- |  |                                |
|--|--------------------------------|
| A. Hlavné telo vysokotlakového čističa | J. Pištoľ                      |
| B. Rýchly konektor a filter (C)        | K. Nastaviteľná dýza           |
| L. Háčik napájacieho kábla             | M. Háčik vysokotlakovej hadice |
| D. Vysokotlaková hadica                | N. Čistiaci kolík              |
| H. Držiak pištole                      |                                |



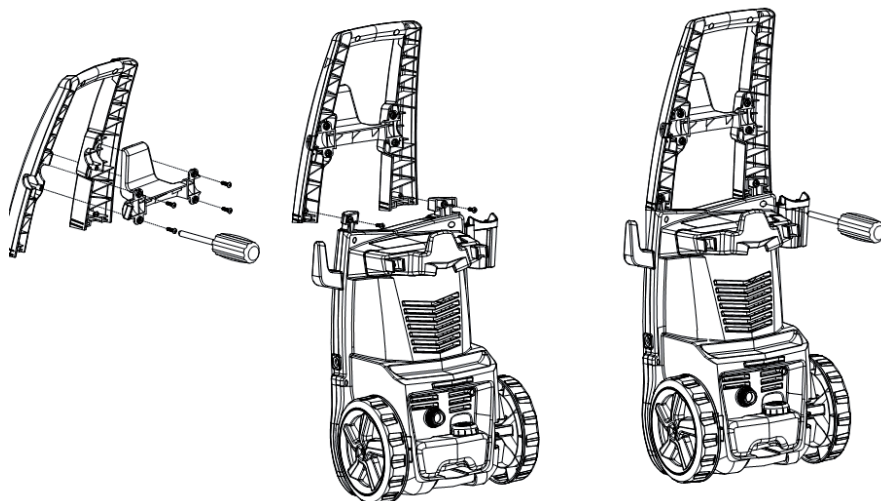
Z dôvodu prepravy a balenia sa môžu niektoré položky príslušenstva dodávať v demontovanom stave. Postupujte, prosím, podľa pokynov na zostavenie.

**Krok 1**

Pripevnite vysokotlakovú hadicu (D) k pištoľi (J). Vložte ju a rýchlo ju pripojte natesno, aby nedošlo k úniku. Keď sú tieto kusy správne spojené, nemôžete oddeliť tieto dva komponenty priamym vytiahnutím z pištole. Stlačte tlačidlo na zaistenie spúšte a potom môžete vytiahnuť vysokotlakovú hadicu.

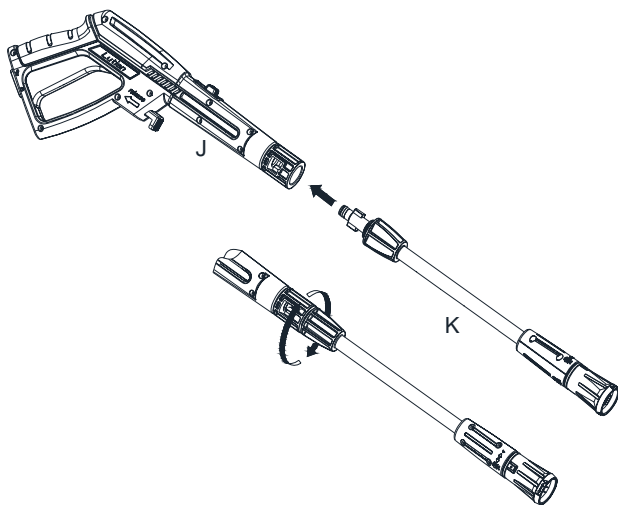
**Krok 2**

Zaskrutkujte rukoväť čističa tesne k hlavnému telu, ako je uvedené na nižšie uvedenom obrázku. Skrutky budú zabalené spolu s hlavným telom a preto ich pri vybaľovaní, prosím, vyhľadajte.

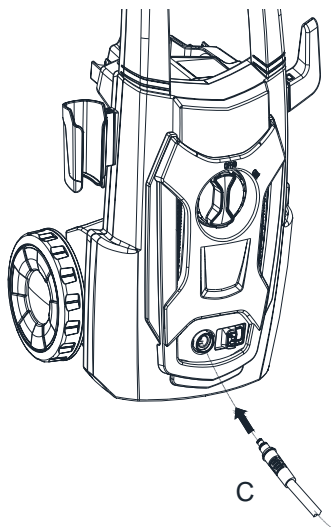


**Krok 3**

Vložte nastaviteľnú postrekovaciu dýzu (K) do pištole (J) a otočte ju v smere hodinových ručičiek tak, aby ste ju ručným dotiahnutím zaistili v správnej polohe. Keď sú tieto kusy spojené správne, nemôžete oddeliť tieto dva komponenty vytiahnutím nastaviteľnej dýzy priamo von. Aby všetko fungovalo, musia byť všetky doplnky vložené do pištole.

**Krok 4**

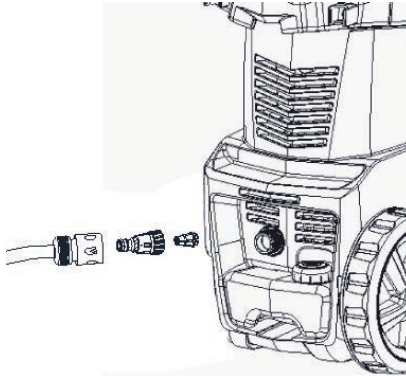
Pripevnite vysokotlakovú hadicu (C) k vývodu vody tlakového čističa. Vložte ju a rýchlo ju pripojte natesno, aby nedochádzalo k úniku. Keď sú tieto kusy spojené správne, nemôžete oddeliť tieto dva komponenty priamym vytiahnutím z vývodu vody. Stlačte „Tlačidlo“ v smere šípky a potom môžete vysokotlakovú hadicu vytiahnuť.





**Krok 5**

Pripevnite konektor hadice k vysokotlakovému čističu. Pred pripevnením konektora k zástrčkovej tvarovke odstráňte plastovú krytku, ktorá bola vložená do zástrčkovej tvarovky na vysokotlakovom čističi pred expedíciou produktu. Túto plastovú krytku môžete po odstránení zlikvidovať. Po inštalácii oboch komponentov pripevnite záhradnú hadicu pomocou skrutky konektora na vysokotlakovom čističi. Pripojte záhradnú hadicu k odpadovej rúrke.



## 9. POKYNY NA OBSLUHU

**TENTO PRÍSTROJ JE URČENÝ IBA NA POUŽITIE SO STUDENOU VODOU!  
NEPOUŽÍVAJTE V TOMTO TLAKOVOM ČISTIČI HORÚCU VODU!**

### Spustenie

Po pripojení tlakového čističa k prívodu studenej vody postupujte nasledovne:

- ✿ Uistite sa, že je vypínač ON/OFF v polohe OFF (Vypnuté).
- ✿ Pripojte záhradnú hadicu k vstupnej tvarovke.
- ✿ Pripevnite hadicu k pištoľi podľa kroku č. 1 pokynov na zostavenie.
- ✿ Vložte nastaviteľnú postrekovaciu dýzu do pištole podľa kroku zostavenia č. 3.
- ✿ Pripojte vysokotlakovú hadicu k vysokotlakovej výstupnej tvarovke podľa kroku zostavenia č. 4.
- ✿ Pripojte záhradnú hadicu k vstupnej tvarovke vysokotlakového čističa podľa kroku zostavenia č. 5.
- ✿ Otvorte celkom ventil prívodu vody.
- ✿ Pred zapnutím prístroja stlačte spúšť pištole na odstránenie všetkého zostávajúceho vzduchu z čerpadla a hadice.
- ✿ Spustíte tlakový čistič prepnutím vypínača on/off do polohy on (zapnuté) a stlačte spúšť.

**⚠ PRIPOMENUTIE!** Motor nebeží nepretržite, iba pri stlačenej spúšti.

### ⚠ VAROVANIE!

**NEBEZPEČENSTVO VSTREKNUTIA!** Po stlačení spúšte začne prístroj striekať. Keď po ukončení používania prístroj vypnete, bude vnútri hadice a prístroja stále existovať vysoký tlak. Nasmerujte pištoľ bezpečným smerom a uvoľníte nadbytočný tlak. **NIKDY** nesmerujte prúd vody s vysokým tlakom na osoby alebo zvieratá.

### Automatické zapnutie/vypnutie

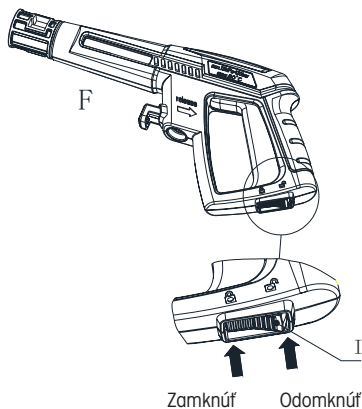
Tento tlakový čistič je vybavený automatickým vypínačom. Tlakový čistič sa spustí iba vtedy, keď je vypínač napájania v polohe ON (Zapnuté) a je stlačená spúšť na pištoľi. Keď uvoľníte spúšť na zostavenie striekania vody pomocou pištole, motor na tlakovom čističi sa automaticky vypne. Na pokračovanie v používaní čističa spúšť jednoducho znovu stlačte. Na ukončenie používania tohto tlakového čističa uvoľníte spúšť a prepnete prístroj do polohy OFF (Vypnuté). V čase, keď prístroj nepoužívate alebo keď je prístroj bez dozoru, ho celkom vypnite (OFF).

### Odvzdušnenie pištole

Pred použitím tohto tlakového čističa je veľmi dôležité pištoľ odvzdušniť. Návod na zostavenie tohto tlakového čističa nájdete v časti „Pokyny na zostavenie“. Na odvzdušnenie pištole jednoducho pripojte záhradnú hadicu k tlakovému čističu a stlačte spúšť PRED zapnutím dodávky elektrickej energie. To umožňuje pred použitím tohto prístroja uvoľniť vzduch uzatvorený vnútri tlakového čističa a pištole. Podržte spúšť približne jednu minútu, aby sa mohol nadbytočný vzduch uvoľniť z prístroja. Počas tejto procedúry bude prístrojom pod nízkym tlakom tiecť voda. Ďalšie tipy na odvzdušnenie nájdete v časti s názvom „Pokyny na obsluhu“.

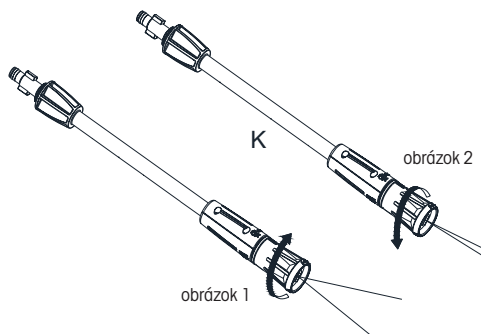
## Bezpečnostná zámka pištole

Tento tlakový čistič je vybavený bezpečnostnou zámkou spúšte pištole. Keď tlakový čistič nepoužívate, použite bezpečnostnú zámku na zamedzenie náhodnej aktivácii vysoko tlakového postreku.



## Nastaviteľná postrekovacia dýza

Nastaviteľná dýza vám umožňuje používať rôzne vzory postreku od plného vejárového postreku (Obrázok 1) až po priamy prúd postreku (Obrázok 2). Počas používania tohto vysoko tlakového čističa na čistenie drevených palúb, obkladov, vozidiel a pod. vždy začnite používaním vejárového postreku minimálne zo vzdialenosti 90 cm (36"), aby nedošlo k poškodeniu povrchu čisteného materiálu. Vždy začínajte postrekom testovacej oblasti, kde sa nevyskytujú iné osoby a predmety.

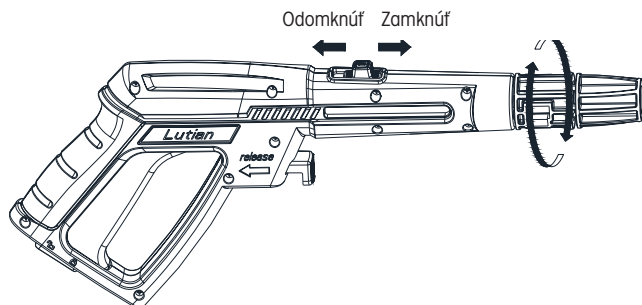


**⚠ VAROVANIE!** Vysoko tlakový prúd môže byť v prípade nesprávneho použitia nebezpečný. Je zakázané smerovať dýzu na osoby, elektrické zariadenia pod prúdom alebo samotný spotrebič.

✿ Nesmerujte dýzu na seba ani iné osoby s cieľom čistenia oblečenia alebo obuvi.

## Otočenie pištole

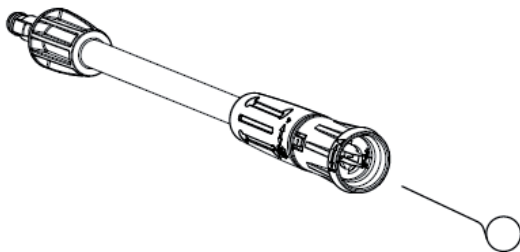
Otočenie pištole upraví uhol čistenia počas používania vzoru plného vejárového postreku, aby si mohol každý používateľ nájsť najpohodlnejšiu a najúčinnnejšiu polohu čistenia. Stlačte tlačidlo na „odmoknutie“ boku a aktiváciu funkcie otočenia. A stlačte tlačidlo na „odmoknutie“ boku, ak túto funkciu nechcete používať.



## Odomknutie násadca

Keď je dýza upchatá, spôsobí nárast tlaku v čerpadle a môže spôsobiť ráz prístroja. V takej situácii môžete dýzu vyčistiť vložením ihly do hrotu s cieľom odstránenia nánosov.

Pri nastaviteľnej dýze môžete pravidelne mazať obrubu dýzy (vysoký tlak na nízky tlak) pomocou maziva nerozpustného vo vode.





## 10. POUŽÍVANIE ČISTIACICH PROSTRIEDKOV

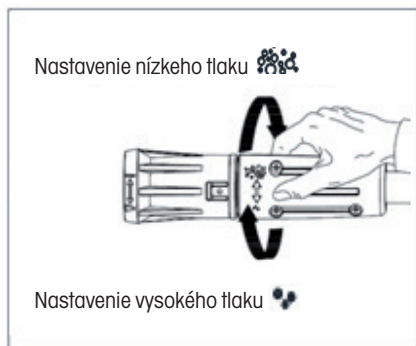
**TENTO TLAKOVÝ ČISTIČ DÁVKUJE ČISTIACI PROSTRIEDOK POD NÍZKYM TLAKOM. NA OPLÁCHNUTIE NAČISTO POUŽÍTE NASTAVITELNÚ POSTREKOVACIU DÝZU.**

**BIOLOGICKY ODBÚRATEĽNÉ ČISTIACE PROSTRIEDKY SÚ ŠPECIÁLNE VYTVORENÉ TAK, ABY CHRÁNILI ŽIVOTNÉ PROSTREDIE A VÁŠ TLAKOVÝ ČISTIČ.**

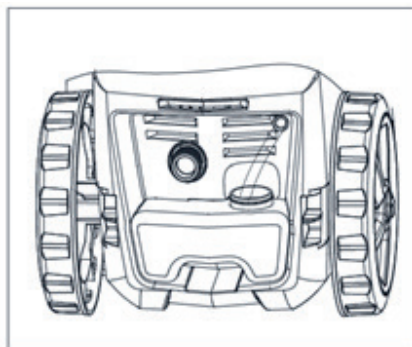
**TIETO ČISTIACE PROSTRIEDKY NEUPCHÁVAJÚ FILTER A CHRÁNIA VNÚTORNÉ ČASTI TLAKOVÉHO ČISTIČA S CIEĽOM PREDĽŽENIA JEHO ŽIVOTNOSTI.**

Vstavaný dávkovač čistiaceho prostriedku umožňuje aplikovať mnoho foriem tekutého čistiaceho prostriedku na pracovný povrch. Aplikácia čistiaceho prostriedku prebieha iba za nízkeho tlaku. Vložte nastaviteľnú dýzu do pištole a otočte ju ku koncu „“ tak, aby bol vysokotlakový čistič v režime nízkeho tlaku (pozrite nižšie uvedený Obrázok A). Odstráňte krytku na nádržke čistiaceho prostriedku a naplňte ju výhradne tekutým čistiacim prostriedkom (pozrite nižšie uvedený Obrázok B). Nelejte do tejto nádržky žiadnu vodu. Vysokotlakový čistič zmieša vodu a čistiaci prostriedok automaticky. Po dokončení aplikácie čistiaceho prostriedku na pracovný povrch ju otočte smerom ku koncu „“ nastaviteľnej dýzy a vystriekajte čistiaci prostriedok pomocou vysokotlakového postreku (pozrite nižšie uvedený Obrázok A). V režime vysokého tlaku nebude vysokotlakový čistič vydávať čistiaci prostriedok.

Obr. A



Obr. B



### **⚠ VAROVANIE!**

NIKDY NEPOUŽÍVAJTE PRODUKTY S BIELIDLAMI, CHLÓROM ALEBO AKÝMKOL'VEK INÝMI ŽIERAVÝMI MATERIÁLMI, VRÁTANE TEKUTÍN OBSAHUJÚCICH ROZPÚŠŤADLÁ (T. J. PLYNMI, OLEJMI A POD.), PRODUKTY S FOSFOREČNANOM SODNÝM, ČPAVKOM ALEBO ČISTIACIMI PROSTRIEDKAMI NA BÁZE KYSELÍN. TIETO CHEMIKÁLIE BY PRÍSTROJ POŠKODILI A SPÔSOBILI BY TAKISTO POŠKODENIE ČISTENÉHO POVRCHU. VŽDY ČÍTAJTE INFORMÁCIE NA ŠTÍTKOCH.

# 11. ČISTENIE A SKLADOVANIE

## Vypnutie tohto tlakového čističa

### **PO UKONČENÍ POUŽÍVANIA TOHTO TLAKOVÉHO ČISTIČA VYKONAJTE TIETO KROKY NA VYPNUTIE PRÍSTROJA:**

- ✿ Prepnite tlakový čistič do polohy OFF (Vypnuté).
- ✿ Uzatvorte prívod vody.
- ✿ Pred odpojením spojenia vysokotlakovej hadice nasmerujte pištoľ bezpečným smerom a vypustite vodu s vysokým tlakom.
- ✿ Odpojte vysokotlakovú hadicu z tlakového čističa a pištole.
- ✿ Odpojte záhradnú hadicu z tlakového čističa.
- ✿ Odstráňte zo záhradnej hadice tvarovku rýchlospojky a pripevnite ju k vsuvke tvarovky nainštalovanej na tlakovom čističi na uskladnenie.
- ✿ Odstráňte z čerpadla nadbytočnú vodu naklopením prístroja na oboch stranách na vyliatie všetkej zostávajúcej vody zo vstupných a výstupných tvaroviek.
- ✿ Odstráňte filter prívodu vody a opláchnite ho vodou na odstránenie nečistôt a úlomkov. Po vyčistení vráťte filter späť.
- ✿ Vypustite nádržku na čistiaci prostriedok a vypláchnite ju tečúcou vodou.
- ✿ Utrite všetku zostávajúcu vodu na všetkých dieloch a tvarovkách.
- ✿ Aktivujte bezpečnostnú zámku pištole.
- ✿ Skladujte tlakový čistič, diely a príslušenstvo v mieste s teplotou nad 0 °C (32 °F).

### **VYKONAJTE VŠETKY VYŠŠIE UVEDENÉ POKYNY NA VYPNUTIE A NAVYŠE AJ NASLEDUJÚCE KROKY...**

- ✿ Po odpojení prívodu vody a pred odpojením vysokotlakovej hadice zapnite tlakový čistič na **2 – 3 sekundy**, kým neodstránite z čerpadla akúkoľvek zostávajúcu vodu.

### **OKAMŽITE PRÍSTROJ VYPNITE. POKRAČOVANIE V POUŽÍVANÍ TOHTO TLAKOVÉHO ČISTIČA BEZ PRIPOJENÉHO PRÍVODU VODY SPŔSOBÍ VÁŽNE POŠKODENIE PRÍSTROJA!**

- ✿ Vždy skladujte tlakový čistič, diely a príslušenstvo v mieste s teplotou nad 0 °C (32 °F).

### **⚠ VAROVANIE!**

V PRÍPADE NEDODRŽANIA TÝCHTO POKYNOV PRE SKLADOVANIE MÔŽE DÔJSŤ K POŠKODENIU CELKU ČERPADLA.

## 12. ÚDRŽBA

- ✿ Tento tlakový čistič sa dodáva s uzatvoreným systémom mazania, takže nie je nutné pridávať žiadny olej.
- ✿ Pred použitím skontrolujte, či nedošlo k poškodeniu všetkých hadíc a príslušenstva.
- ✿ Pravidelne kontrolujte nánosy na vstupnom filtri. Pravidelne tento filter čistite na zaistenie maximálneho výkonu.

### TIPY NA ČISTENIE

#### **⚠ VAROVANIE!**

PRED STRIEKANÍM NA CIELOVÝ ČISTENÝ POVRCH VŽDY OTESTUJTE POSTREK V OBLASTI BEZ POHYBU OSÔB A VÝSKYTU PREDMETOV.

#### **Drevené a vinylové paluby**

Opláchnite palubu a okolie pitnou vodou. Ak používate čistiaci prostriedok, naplňte nádržku čistiaceho prostriedku a aplikujte ho pod nízkym tlakom na čistenú oblasť. Pre optimálne výsledky rozdeľte pracovnú oblasť na menšie sekcie a postupne ich očistite. Nechajte čistiaci prostriedok niekoľko minút pôsobiť na povrch a potom povrch opláchnite vysokým tlakom. NENECHAJTE ČISTIACI PROSTRIEDOK USCHNÚŤ. Na dosiahnutie najlepších výsledkov vždy čistite zľava doprava a zhora nadol. Opláchnite vysokým tlakom pomocou vejjárového postreku tak, že budete držať hrot postrekovacej dýzy aspoň 15 – 22 cm (6 – 9 in) od čisteného povrchu. Pri použití priameho postreku udržiavajte väčšiu vzdialenosť od čistenej oblasti.

**⚠ UPOZORNENIE!** Pri jemnejších druhoch dreva zvýšte vzdialenosť od čistenej oblasti.

#### **Betónové nádvoria, kameň a tehla**

Opláchnite čistené miesto a okolie pitnou vodou. Ak používate čistiaci prostriedok, naplňte nádržku čistiaceho prostriedku a aplikujte ho pod nízkym tlakom na čistenú oblasť. Opláchnite vysokým tlakom pomocou vejjárového postreku kývavým ohybom tak, že budete držať hrot postrekovacej dýzy aspoň 7 – 15 cm (3 – 6 in) od čisteného povrchu. Pri použití priameho postreku udržiavajte väčšiu vzdialenosť od čistenej oblasti.

#### **Autá, lode a motocykle**

Opláchnite čistené miesto a okolie pitnou vodou. Ak používate čistiaci prostriedok, naplňte nádržku čistiaceho prostriedku a aplikujte ho pod nízkym tlakom na čistenú oblasť. Na dosiahnutie najlepších výsledkov čistite súčasne iba jednu stranu. Nechajte čistiaci prostriedok niekoľko minút pôsobiť na povrch, ale nenechajte ho uschnúť. Opláchnite vysokým tlakom pomocou vejjárového postreku kývavým ohybom tak, že budete držať hrot postrekovacej dýzy aspoň 20 cm (8 in) od čisteného povrchu. Pri použití priameho postreku udržiavajte väčšiu vzdialenosť od čistenej oblasti. Pri leštenom povrchu utrite povrch dosucha.

#### **Barbecue grily, energetické zariadenia a záhradné nástroje**

Opláchnite čistené miesto a okolie pitnou vodou. Ak používate čistiaci prostriedok, naplňte nádržku čistiaceho prostriedku a aplikujte ho pod nízkym tlakom na čistenú oblasť. Nechajte čistiaci prostriedok niekoľko minút pôsobiť na povrch, ale nenechajte ho uschnúť. Opláchnite vysokým tlakom pomocou vejjárového postreku tak, že budete držať hrot postrekovacej dýzy aspoň 2 – 7 cm (1 – 3 in) od čisteného povrchu. Pri použití priameho postreku udržiavajte väčšiu vzdialenosť od čistenej oblasti.

## 13. TECHNICKÉ ÚDAJE

Menovité napätie	AC 220 – 240 V
Menovitý kmitočet	50/60 Hz
Menovitý príkon	1600 W
Menovitý tlak	90 barov (9 MPa)
Maximálny tlak	130 barov (13 MPa)
Menovitý prietok	6 l/min
Maximálny prietok	7 l/min
Max. teplota prívodu vody	50 °C
Stupeň ochrany	II.
Hmotnosť	7,3 kg
Maximálny vstupný tlak vody v pascaloch	1,2 MPa
Úroveň akustického tlaku (K = 3 dB (A)): $L_{pA}$	79 dB
Úroveň akustického výkonu (K = 3 dB (A)): $L_{pA}$	90 dB

### ZÁRUKA

Pozrite priložené záručné podmienky, kde nájdete podmienky záruky.

### ŽIVOTNÉ PROSTREDIE

Ak je vaše zariadenie po dlhšom čase používania potrebné vymeniť, nevyhadzujte ho do domového odpadu, ale zlikvidujte ho ekologicky šetrným spôsobom.



## 14. TYPY NA RIEŠENIE PROBLÉMOV

### KEĎ JE PREPÍNAČ V POLOHE „I“ A PRÍSTROJ SA NESPUSTÍ

PRAVDEPODOBNÁ PRÍČINA	RIEŠENIE
Chybná elektrická zásuvka	Skontrolujte zástrčku, zásuvku a poistky
Nedostatočné napätie	Skontrolujte, či je napätie dostatočné
Napájací kábel nie je pripojený	Pripojte napájací kábel

### ČERPADLO NEDOSAHUJE DOSTATOČNÝ TLAK ALEBO KOLÍŠE

PRAVDEPODOBNÁ PRÍČINA	RIEŠENIE
Filter prívodu vody je upchatý	Vyberte a vyčistite filter
Čerpadlo čerpá vzduch	Utesnite spojenie/odvzdušnite systém
Nasávacie ventily sú upchaté/opotrebované	Očistite alebo vymeňte ventily
Priemer záhradnej hadice je príliš malý	Nahraďte ju za záhradnú hadicu s priemerom ¾ palca
Prívod vody je obmedzený	Skontrolujte, či sa na hadici netvoría uzly alebo trhliny
Nedostatočný prívod vody	Plne otvorte zdroj vody

### TLAKOVÝ ČISTIČ MÁ ALEBO NEUDRŽIAVA TLAK

PRAVDEPODOBNÁ PRÍČINA	RIEŠENIE
Nadmerný vzduch vo vodovodnom potrubí a čerpadle	Vypnite prístroj a prívod vody/ Odvzdušnite systém/ Podržte spúšť

### ČISTIČ TLAKU VYDÁVA NADMERNÝ HLUK

PRAVDEPODOBNÁ PRÍČINA	RIEŠENIE
Blokovaný prívod	Skontrolujte vstupné ventily
Ventily sú opotrebované, znečistené alebo upchaté	Skontrolujte, očistite alebo vymeňte ventily
Filter je znečistený	Skontrolujte, očistite alebo vymeňte filter

### MOTOR SA POČAS POUŽÍVANIA ZASTAVUJE

PRAVDEPODOBNÁ PRÍČINA	RIEŠENIE
Sieťové napätie je nižšie, než je potrebné	Skontrolujte, či je napätie dostatočné

# 15. LIKVIDÁCIA



Toto náradie, nabíjacia batéria, príslušenstvo a obaly sa musia triediť, aby bola zaistená ich ekologická recyklácia.

Nevyhadzujte elektrické náradie a batérie alebo nabíjacie batérie do bežného domového odpadu!

## Iba pre krajiny z Európskej únie:



V súlade s európskymi smernicami 2012/19/EÚ a 2006/66/EC sa musí elektrické náradie, ktoré sa už ďalej nepoužíva, a takisto chybné alebo použité súpravy batérií/batérie, zbierať oddelene a likvidovať spôsobom šetrným k životnému prostrediu.

### POKYNY A INFORMÁCIE PRE LIKVIDÁCIU VYRADENÝCH OBALOVÝCH MATERIÁLOV

Odovzdajte všetok použitý obalový materiál na mieste, ktoré je určené miestnymi úradmi pre likvidáciu odpadu.

### LIKVIDÁCIA VYRADENÝCH ELEKTRICKÝCH A ELEKTRONICKÝCH ZARIADENÍ



Tento symbol na výrobkoch alebo v priloženej dokumentácii znamená, že vyradené elektrické alebo elektronické zariadenia sa nesmú vyhadzovať do bežného komunálneho odpadu. Odovzdajte tieto výrobky na určených zberných miestach, kde sa vykoná ich správna likvidácia, obnovenie a recyklácia. V niektorých štátoch Európskej únie alebo v niektorých európskych krajinách môžete pri nákupe zodpovedajúceho nového výrobku vrátiť vaše výrobky miestnemu predajcovi. Správnu likvidáciu tohto výrobku pomáhate chrániť cenné prírodné zdroje a zabránite možným negatívnym dopadom na životné prostredie a ľudské zdravie, ku ktorým by mohlo dôjsť v dôsledku nesprávnej likvidácie odpadu. Ďalšie podrobnosti vám poskytnú miestne úrady alebo najbližší zberný dvor. V prípade nesprávnej likvidácie tohto druhu odpadu sa môžu uložiť pokuty v súlade s platnými národnými predpismi.

#### Pre spoločnosti, ktoré pôsobia v krajinách Európskej únie

Ak chcete zlikvidovať elektrické alebo elektronické zariadenia, vyžiadajte si potrebné informácie od vášho predajcu alebo dodávateľa.

#### Likvidácia v krajinách mimo Európskej únie

Ak chcete tento výrobok zlikvidovať, požiadajte miestne úrady alebo predajcu o nevyhnutné informácie o spôsobe likvidácie.



Tento výrobok spĺňa všetky základné požiadavky všetkých príslušných smerníc EÚ.

Text, dizajn a technické špecifikácie sa môžu zmeniť bez predchádzajúceho upozornenia a vyhradujeme si právo na vykonávanie týchto zmien.

Preklad originálneho návodu na použitie.

## 16. VYHLÁŠENIE O ZHODE

**FAST**<sup>®</sup>**FAST ČR, a.s.**Černokostecká 1621, 251 01 Říčany, Czech Republic  
tel.: +420 323 204 111, fax: +420 323 204 110**EU VYHLÁŠENIE O ZHODE**

**Produkt/ značka:** Elektrický vysokotlakový čistič / **FIELDMANN**

**Type/ model:** **FDW 201602-E** ako továrni model LT502-1600B  
AC 220-240 V, 50/60 Hz, 1600 W, 6l/min, 9Mpa, IPX5, Trieda II,  
nameraná hladina akustického výkonu: LPA= 88,3 dB(A)  
garantovaná hladina akustického výkonu: LWA= 90 dB(A)

**Výrobca:** FAST ČR, a.s.  
Černokostecká 2111, 100 00 Praha 10, Czech Republic  
VAT no: CZ26726548

**Výrobok je ve zhode s níže uvedenými smernicami a nariadeniami:**

Directive MD 2006/42/EC  
Directive EMC 2014/30/EU  
Directive NOISE 2000/49/EC  
Directive RoHS 2011/65/EU

**a normami:**

EN 60335-1:2012+A11+A13  
EN 60335-2-79:2012  
EN 62233:2008  
EN 55014-1:2017  
EN 55014-2:2015  
EN 61000-3-2:2014  
EN 61000-3-3:2013

**Vydáno v:** Praha**Meno:** Ing. Zdeněk Pech  
Chairman of the Board**Dátum vydanie:** 4. 9. 2020**Podpis:**

**FAST** FAST ČR, a.s.  
Černokostecká 1621, 251 01 Říčany  
IČO: 26726548 tel.: +420/ 323 204 111  
DIČ: CZ26726548 fax: +420/ 323 204 110

IČO: 26 72 65 48, DIČ: CZ-26 72 65 48

**Bankovní spojení:** Komerční banka Praha 1, č.ú. 89309011/0100, Česká spořitelna Praha 4, č.ú. 2375682/0800,  
CSOB Praha 1, č.ú. 8010-0116233383/0300



# Magasnyomású tisztító

## FELHASZNÁLÓI KÉZIKÖNYV

**Köszönjük, hogy megvásárolta ezt a magasnyomású tisztítót. Használat előtt figyelmesen olvassa el a használati útmutatót és őrizze meg későbbi használatához.**

## TARTALOM

1. FONTOS BIZTONSÁGI TIPPEK .....	70
2. FONTOS BIZTONSÁGI ÓVINTÉZKEDÉSEK .....	70
3. ÁLTALÁNOS BIZTONSÁGI INTÉZKEDÉSEK .....	71
4. JELZÉSEK .....	72
5. KETTŐS SZIGETELÉSŰ KÉSZÜLÉKEK SZERVIZELÉSE .....	74
6. HOSSZABBÍTÓ KÁBELEK HASZNÁLATA .....	74
7. A NAGYNYOMÁSÚ TISZTÍTÓ MEGFELELŐ HASZNÁLATA .....	75
8. ÖSSZEÁLLÍTÁSI ÚTMUTATÓ .....	76
9. KEZELÉSI ÚTMUTATÓ .....	80
10. TISZTÍTÓSZEREK HASZNÁLATA .....	83
11. TISZTÍTÁS ÉS TÁROLÁS .....	84
12. KARBANTARTÁS .....	85
13. MŰSZAKI ADATOK .....	86
14. HIBAELHÁRÍTÁSI TIPPEK .....	87
15. MEGSEMISÍTÉS .....	88

# 1. FONTOS BIZTONSÁGI TIPPEK

**Soha** ne irányítsa a nagynyomású fúvócsövet emberekre vagy állatokra.

**Soha** ne igyon alkoholt és ne használjon drogot a nagynyomású tisztító használata közben.

**Soha** ne használja ezt a nagynyomású tisztítót vízben állva.

**Soha** ne fogja meg a hálózati csatlakozót vizes kézzel.

**Soha** ne hagyja az elektromos csatlakozásokat vízben.

**Soha** ne használja ezt a nagynyomású tisztítót víz nélkül.

**Soha** ne használja ezt a nagynyomású tisztítót forró vízzel.

# 2. FONTOS BIZTONSÁGI ÓVINTÉZKEDÉSEK

**⚠ FIGYELEM!** A készülék használatakor mindig be kell tartani az alapvető biztonsági óvintézkedéseket, beleértve a következőket:

1. A termék használata előtt olvassa el az utasításokat. Őrizze meg a biztonsági útmutatókat.
2. Ne használja ezt a mosógépet, ha fáradtnak érzi magát, vagy alkoholt vagy drog hatása alatt áll.
3. Befecskendezés vagy sérülés veszélye - Ne irányítsa a nagynyomású vízugarat emberekre vagy állatokra.
4. Soha ne engedje, hogy gyermekek használják ezt a nagynyomású tisztítót.
5. Hogy minimalizálják a veszélyeket, szigorú felügyelet szükséges, ha ezt a nagynyomású tisztítót gyermekek közelében használják.
6. Tanulja meg, hogyan állíthatja le a készüléket, és hogyan csökkentheti azonnal a nyomást. Tanulja meg tökéletesen használni a vezérlő-elemeket.
7. Legyen éber - mindig legyen tisztában azzal, hová irányítja a nagynyomású permetet
8. Tartson távol minden személyt a tisztítási területtől.
9. Mindig álljon szilárdan és tartsa meg egyensúlyát - ne becsülje túl az erejét, és ne álljon instabil támaszra.
10. A munkaterületnek megfelelő vízelvezetéssel kell rendelkeznie, csökkentve a csúszós felületek miatt bekövetkező elcsúszás kockázatát.
11. Kövesse a kézikönyvben található karbantartási utasításokat.
12. Az áramütés kockázatának csökkentése érdekében tartsa az összes csatlakozást szárazon és a földtől távol. Ne érjen a csatlakozódugóhoz nedves kézzel.

### 3. ÁLTALÁNOS BIZTONSÁGI INTÉZKEDÉSEK

1. Csak kültéri háztartási használatra.
2. Repedések jelenhetnek meg a nagynyomású tömlőben kopás, helytelen használat, összegabalyodás stb. következtében. Ne használjon sérült tömlőt.
3. Ne használja ezt a nagynyomású tisztítót gyúlékony anyagok, gyúlékony gázok vagy por közelében.
4. Egyes vegyszerek vagy tisztítószerek károsak lehetnek belélegezve vagy lenyelve, és súlyos sérüléseket okozhatnak. Mindig használjon légzőkészüléket vagy maszkot, ha fennáll a gőzök belélegzésének veszélye. Olvassa el a maszkhoz mellékelt összes utasítást, hogy megbizonyosodjon arról, hogy a maszk megfelelő védelmet nyújt a káros füst belélegzése ellen.
5. Mielőtt hideg időben elindítaná ezt a mosógépet, ellenőrizze a berendezés minden alkatrészét, hogy nem képződött rajta jegesedés. Ne tárolja a készüléket olyan helyen, ahol a hőmérséklet 0 °C (32 °F) alá esik.
6. AZ ALKATRÉSZEKET NE MÓDOSÍTSA! SOHA ne használja a készüléket hibás vagy hiányzó alkatrészekkel, se védőburkolat vagy tok nélkül
7. Tartsa a nagynyomású tömlőt a nagynyomású tisztítóhoz és a szórópisztolhoz csatlakoztatva, miközben a rendszert nyomással látja el. A tömlő leválasztása, ha a készülék nyomása alatt van, veszélyes és sérüléseket okozhat.
8. Ne hagyja felügyelet nélkül a nagynyomású tisztítót, amikor a főkapcsoló be van kapcsolva (ON).
9. Tartsa távol a vízpermetet az elektromos telepítéstől, különben halálos áramütést okozhat.

## 4. JELZÉSEK

Az eszközökön és a kézikönyvben található címkék szimbólumokat jeleníthetnek meg. Fontos információkat nyújtanak a termékről vagy a használati utasításról.



Személyi sérülés lehetséges kockázatát jelzi.



Szerkezet kettős szigeteléssel



Ne tegye ki víznek vagy esőnek és ne használja nedves környezetben.



A termék használata előtt, a sérülések kockázatának minimalizálása érdekében a felhasználóknak el kell olvasniuk a felhasználói kézikönyvet és meg kell érteniük az utasításokat.



A termék használata során mindig viseljen oldalsóvédővel ellátott védőszemüveget, és ha szükséges, teljes arcvédőt.



Az befecskendezés vagy sérülés kockázatának minimalizálása érdekében soha ne irányítsa a vízáramot emberekre vagy állatokra, és ne tegye be testének egyetlen részét sem ebbe a vízáramba. A szivárgó tömlők és szerelvények szintén okozhatnak sérüléseket. Ne fogja a tömlőket vagy a csatlakozókat.





A visszarúgási sérülések kockázatának minimalizálása érdekében tartsa mindkét kezével biztonságosan a permetező toldalék hegyét, ha a készülék be van kapcsolva.



Ha a készüléket nem száraz körülmények között használja, vagy nem tartja be a biztonsági utasításokat, áramütés veszélye fenyeget.



**Figyelmeztetés! Soha ne irányítsa a szórópisztolyt emberekre, állatokra, testrészekre, áramforrásokra vagy bármilyen elektromos készülékre**



A készüléket nem ivóvízellátáshoz kell csatlakoztatni



Az elhasznált elektromos termékeket ne dobja a háztartási hulladékba, de újrahasznosítás céljából vigye el a gyűjtőudvarba. Az újrahasznosításra vonatkozó információkért forduljon a helyi hatóságokhoz vagy az eladóhoz.

## 5. KETTŐS SZIGETELÉSŰ KÉSZÜLÉKEK SZERVIZELÉSE

A kettős szigetelésű termékhez kettős szigetelési rendszer áll rendelkezésre földelés helyett. A kettős szigetelésű terméken nincs földelőeszköz, és semmilyen földelőeszközt sem szabad ilyen termékhez csatlakoztatni. A kettős szigetelésű termék szervizelése rendkívüli körülményt és a rendszer ismeretét igényli, és csak szakképzett szerviztechnikus végezheti. A kettős szigetelésű termék alkatrészeinek meg kell egyezniük a cserélni kívánt részekkel. A kettős szigetelésű termék a "DOUBLE INSULATION" (kettős szigetelés) vagy "DOUBLE INSULATED" (duplán szigetelt) szavakkal van jelölve.

A terméken ez a jelzés  is megjelenhet.

## 6. HOSSZABBÍTÓ KÁBELEK HASZNÁLATA

A hosszabbító kábel használata ezzel a termékkel NEM AJÁNLOTT. Ha hosszabbító kábelt kell használni, akkor csak kültéri használatra tervezett hosszabbító kábelt használjon. Ezek a kábelek a „ACCEPTABLE FOR USE WITH OUTDOOR APPLIANCES, STORE INDOORS WHILE NOT IN USE” jelzéssel vannak jelölve (Alkalmos kültéri készülékekhez. Ha nem használja, tárolja beltérben.). Csak olyan hosszabbító kábeleket használjon, amelyek legalább azonos elektromos névleges értékkel rendelkeznek, mint a termék. Használat előtt ellenőrizze a hosszabbító kábelt. NE HASZNÁLJON SÉRÜLT HOSSZABBÍTÓ KÁBELEKET! Ne válassa le a tápellátásról a kábelen húzva - mindig húzza ki a csatlakozóból. Tartsa távol a kábelt hőforrásoktól és éles szélektől. Mindig válassa le a hosszabbító kábelt a tápellátásról, mielőtt kihúzza a terméket a hosszabbítóból.

**⚠ FIGYELEM!** Az áramütés kockázatának csökkentése érdekében tartsa az összes csatlakozást szárazon és a földtől távol. Ne érjen a csatlakozódugóhoz nedves kézzel.

- ☼ Ne használja a készüléket, ha a tápkábel vagy a készülék fontos részei, például biztonsági berendezések, nagynyomású tömlők és kioldópisztolyok megsérültek.
- ☼ Ha hosszabbító kábelt használ, a csatlakozónak és az aljzatnak vízállónak kell lennie.

**⚠ FIGYELEM!** A nem megfelelő hosszabbító kábelek veszélyesek lehetnek.

- ☼ Tisztítás vagy karbantartás, az alkatrészek cseréje vagy a készülék más funkcióra történő állítása előtt húzza ki a csatlakozót az aljzataból.

## 7. A NAGYNYOMÁSÚ TISZTÍTÓ MEGFELELŐ HASZNÁLATA

**EZ A KÉSZÜLÉK CSAK HIDEG VÍZZEL HASZNÁLHATÓ!  
SOHA NE HASZNÁLJA EZT A NAGYNYOMÁSÚ TISZTÍTÓT FORRÓ VÍZZEL.**

1. Ezt a nagynyomású tisztítót olyan folyadéknyomással használja, amely nem haladja meg a névleges nyomást. Soha ne használja ezt a nagynyomású tisztítót víz nélkül. A készülék vízellátás nélküli használata helyrehozhatatlan károkat okoz a készülékben.
2. Győződjön meg, hogy a nagynyomású tisztítóhoz használt vízellátás nem szennyezett, nem tartalmaz homokot vagy maró vegyszereket. A piszkos vízellátás használata hátrányosan befolyásolja a nagynyomású tisztító élettartamát.

3. **▲ FIGYELEM** – Ez a nagynyomású tisztító különféle alkalmazásokhoz használható, beleértve az autók, csónakok, udvarok, fedélzetek, garázsok stb. és mindenhol máshol, ahol nagy nyomás szükséges a szennyeződések és törmelékek eltávolításához.

**A nagynyomású vízsugarak helytelen használat esetén károsíthatják**

**a munkafelületet!** További részletekért lásd a „Használati utasítások” című részt. A permetezést először mindig tesztelje szabad területen.

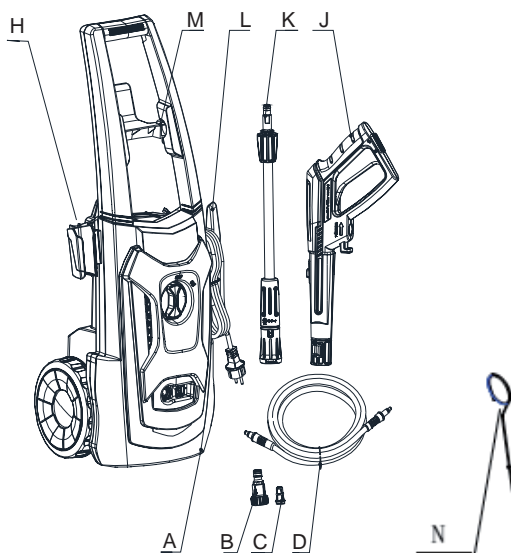
4. SOHA ne helyezze át a készüléket a nagynyomású tömlővel húzva. Erre a célra használja a készülék tetején található fogantyút.
5. Mindig két kézzel fogja a nagynyomású pisztolyt és a rudat. Tartsa az egyik kezét a pisztolyon/indítógombon, miközben a másik kezével megtámasztja a rudat (lásd az ábrát).
6. A tisztítószer permetezésekor a nagynyomású tisztító csak alacsony nyomáson alkalmazza ezt a tisztítószerrel a tisztítandó területre. A tisztítószer alkalmazása után egy állítható fúvócső segítségével permetezéssel távolítsa el a tisztítószerrel a munkaterületről.

## 8. ÖSSZEÁLLÍTÁSI ÚTMUTATÓ

### Kicsomagolás a dobozból

A doboz kinyitása után vegye ki az összes alkatrészt, és ellenőrizze őket a szállított alkatrészek alábbi listája szerint:

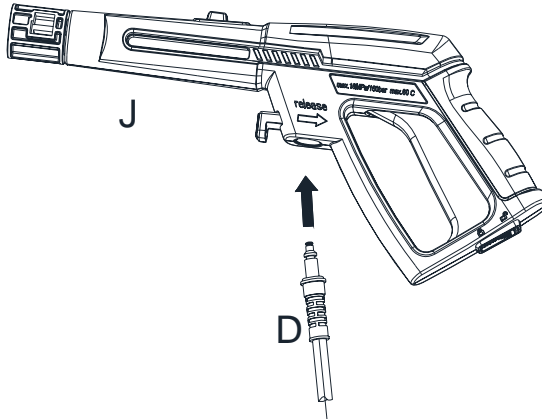
- |                                  |                            |
|----------------------------------|----------------------------|
| A. Nagynyomású tisztító fő teste | J. Pisztoly                |
| B. Gyorscsatlakozó és szűrő (C)  | K. Állítható fúvócső       |
| L. Tápkábel horog                | M. Nagynyomású tömlő horog |
| D. Nagynyomású tömlő             | N. Tisztítócsap            |
| H. Pisztolytartó                 |                            |



Szállítás és csomagolás miatt egyes tartozékokat szétszerelve szállíthatunk. Kérjük, járjon el az összeállítási utasítások szerint.

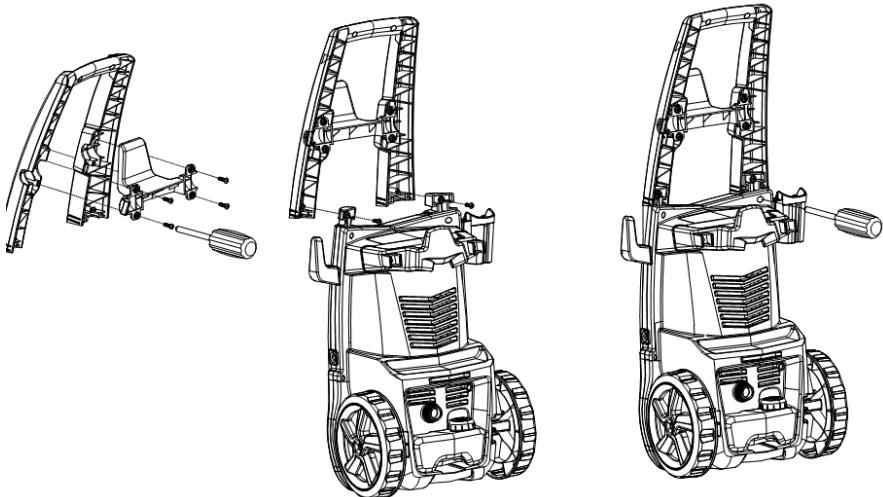
## 1. lépés

Csatlakoztassa a nagynyomású tömlőt (D) a pisztolyhoz (J). Helyezze be és szorosan csatlakoztassa a szívárgás elkerülése érdekében. Ha ezek a darabok megfelelően vannak csatlakoztatva, akkor nem választhatja szét a két alkatrészt azáltal, hogy közvetlenül kihúzza a pisztolyból. Nyomja meg az indítógomb biztosítót, majd kihúzhatja a nagynyomású tömlőt.



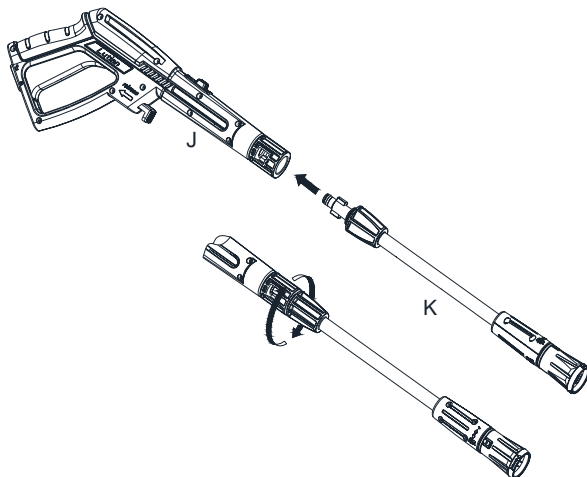
## 2. lépés

Csavarja a tisztító fogantyút szorosan a testhez, az alábbi ábra szerint. A csavarok a fő testtel együtt vannak csomagolva, ezért kérjük, keresse meg őket kicsomagolásakor.



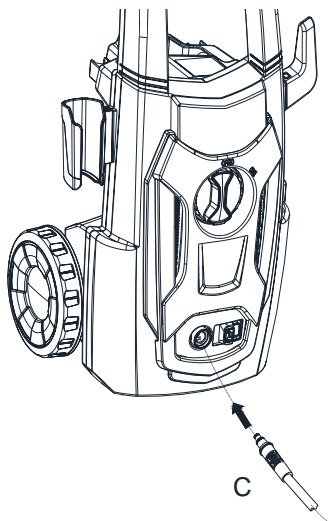
### 3. lépés

Helyezze az állítható szórófejet (K) a pisztolyba. Tolja az állítható fúvócsövet a pisztolyba (J), és forgassa az óramutató járásával megegyező irányba, hogy kézi meghúzással rögzítse a megfelelő helyzetben. Ha ezek a darabok megfelelően vannak csatlakoztatva, akkor nem választhatja szét a két alkatrészt az állítható fúvócső egyenes kihúzásával. Ahhoz, hogy minden működjön, minden tartozékot be kell helyezni a pisztolyba.



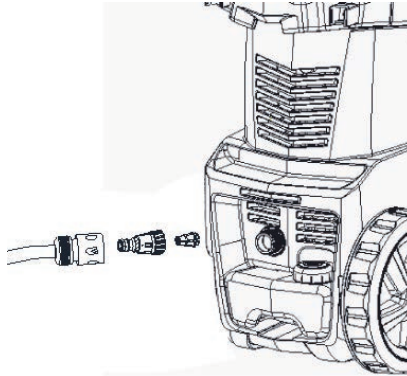
### 4. lépés

Csatlakoztassa a nagynyomású tömlőt (C) a nagynyomású tisztító vízkimenetéhez. Helyezze be és szorosan csatlakoztassa a szívárgás elkerülése érdekében. Ha ezek a darabok megfelelően vannak csatlakoztatva, akkor nem választhatja szét a két alkatrészt azáltal, hogy közvetlenül kihúzza a vízkimenetből. Nyomja meg a "Gombot" a nyíl irányába, majd húzza ki a nagynyomású tömlőt.



## 5. lépés

Csatlakoztassa a tömlő csatlakozóját a nagynyomású tisztítóhoz. Mielőtt a csatlakozót a csatlakozóaljzathoz rögzítené, távolítsa el a műanyag kupakot, amelyet a nagynyomású tisztító dugószerelvényébe illesztettek a terméket szállítása előtt. Ezt a műanyag burkolatot elfávolítás után eldobhatja. Mindkét alkatrész felszerelése után csatlakoztassa a kerti tömlőt a nagynyomású tisztító csatlakozójának csavarjával. Csatlakoztassa a kerti tömlőt a lefolyócsőhöz.



## 9. KEZELÉSI ÚTMUTATÓ

**EZ A KÉSZÜLÉK CSAK HIDEG VÍZZEL HASZNÁLHATÓ!  
SOHA NE HASZNÁLJA EZT A NAGNYOMÁSÚ TISZTÍTÓT FORRÓ VÍZZEL!**

### Elindítás

Miután csatlakoztatta a nagynyomású tisztítót a hidegvíz-ellátáshoz, az alábbiak szerint járjon el:

- ✿ Győződjön meg, hogy az ON/OFF kapcsoló OFF (kikapcs.) állásban van.
- ✿ Csatlakoztassa a tömlőt a bemeneti szerelvényhez.
- ✿ Csatlakoztassa a tömlőt a pisztolyhoz az összeszerelési utasítás 1. lépése szerint.
- ✿ Helyezze az állítható szórófejet a pisztolyba az összeszerelési utasítás 3. lépése szerint.
- ✿ Csatlakoztassa a nagynyomású tömlőt a nagynyomású kimeneti szerelvényhez az összeszerelési utasítás 4. lépése szerint.
- ✿ Csatlakoztassa a kerti tömlőt a nagynyomású tisztító bemeneti szerelvényhez az összeszerelési utasítás 5. lépése szerint.
- ✿ Nyissa ki teljesen a vízellátó szelepet.
- ✿ A műszer bekapcsolása előtt nyomja meg a pisztoly indítógombját a maradék levegő eltávolításához a szivattyúból és a tömlőből.
- ✿ Indítsa el a nagynyomású tisztítót úgy, hogy az ON/OFF kapcsolót az ON (bekapcs.) helyzetbe állítja, majd nyomja meg az indítógombot.

**EMLÉKEZTETŐ:** A motor nem jár folyamatosan, csak ha az indítógomb le van nyomva.

### **⚠ FIGYELEM!**

**BEFECSKENDEZÉS VESZÉLYE!** Az indítógomb megnyomásakor a készülék spriccelni kezd. Ha használat után kikapcsolja a készüléket, akkor is nagy nyomás lesz a tömlőben és a készülékben. Irányítsa a szórópisztolyt biztonságos irányba, és engedje ki a felesleges nyomást. SOHA ne irányítsa a nagynyomású vízugarat emberekre vagy állatokra.

### Automatikus be-/kikapcsolás gomb

A nagynyomású tisztító automatikus kapcsolóval van felszerelve. A nagynyomású tisztító csak akkor indul el, ha a főkapcsoló ON (bekapcs.) állásban van, és a pisztoly indítógombját megnyomják. Amikor elengedi az indítógombot, hogy leállítsa a pisztollyal szórt vízpermetet, a mosógép motorja automatikusan kikapcsol. A tisztító használatának folytatásához egyszerűen nyomja meg újra az indítógombot. A nagynyomású tisztító használatának leállításához engedje el az indítógombot, és fordítsa az egységet OFF (kikapcs.) állásba. Kapcsolja ki teljesen (OFF) a készüléket, ha nem használja, vagy ha felügyelet nélkül van.

### A pisztoly légtelenítése

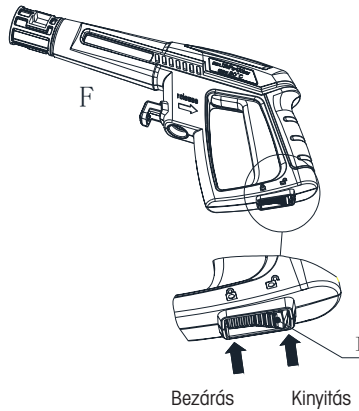
Nagyon fontos, hogy a nagynyomású tisztító használata előtt légtelenítse a pisztolyt. A nagynyomású tisztító összeszerelési utasításait az „Összeszerelési útmutató” részben találja. A pisztoly légtelenítéséhez egyszerűen csatlakoztassa a kerti tömlőt a nagynyomású tisztítóhoz, és a tápellátás bekapcsolása előtt nyomja meg az



indítógombot. Ez lehetővé teszi a nagynyomású tisztító és a pisztoly belsejében lévő levegő felszabadítását a készülék használata előtt. Tartsa lenyomva az indítógombot kb. egy percig, hogy a felesleges levegő kiszabaduljon az egységből. Ezen eljárás alatt a víz alacsony nyomáson áramlik a készülékben. A légtelenítéssel kapcsolatos további tippeket a „Kezelési útmutató” részben talál.

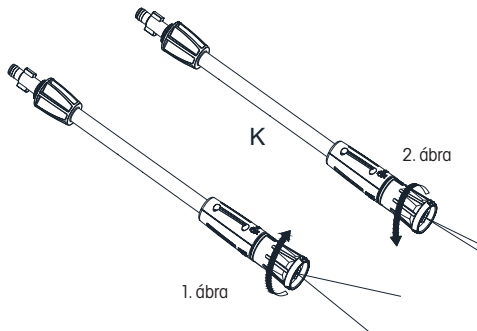
### A pisztoly biztonsági zára

Ez a magasnyomású tisztító biztonsági pisztoly kioldó zárral van felszerelve. Ha a nagynyomású tisztítót nem használja, használja a biztonsági zárat, hogy megakadályozza a nagynyomású permetezés véletlen bekapcsolását.



### Állítható fúvócső

Az állítható fúvócső lehetővé teszi, hogy különféle permetezési mintákat alkalmazjon a teljes legyezős permetezéstől (1. ábra) az egyenes szóróáramig (2. ábra). Ha ezzel a nagynyomású tisztítóval fából készült padlókat, burkolatokat, járműveket stb. tisztít, mindig legalább 90 cm (36”) távolságból kezdjen el legyezős permetezést használni, hogy elkerülje a tisztítandó anyag felületének károsodását. Mindig teszterület permetezésével kezdjen, ahol nincsenek más emberek vagy tárgyak.

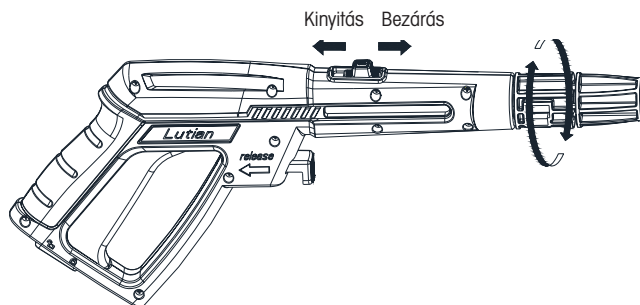


**⚠ FIGYELEM!** A nagynyomású áram helytelen használatnál veszélyes lehet. Tilos a fúvócsövet emberekre, feszültség alatt álló elektromos berendezésekre vagy magára a készülékre irányítani.

✿ Ne irányítsa a fúvócsövet magára vagy másra ruha vagy cipő tisztítása miatt.

### Pisztoly elforgatása

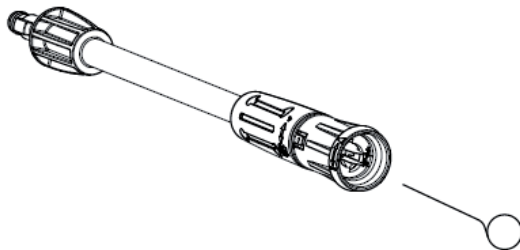
A pisztoly elforgatásával a tisztítási szög a teljes legyezőminta használata mellett beállítható, hogy minden felhasználó megtalálja a legkényelmesebb és leghatékonyabb tisztítási helyzetet. Nyomja meg a gombot az oldal „kioldásához” és a forgatás funkció aktiválásához. És nyomja meg az oldal „kioldása” gombot, ha nem akarja használni ezt a funkciót.



### A bővítés kinyitása

Ha a fúvócső eltömődött, a szivattyúban a nyomás megemelkedik, és a készülék visszarúgását okozhatja. Ebben a helyzetben megtisztíthatja a fúvócsövet úgy, hogy tűt helyez a hegyébe és így eltávolítja a lerakódásokat.

Az állítható fúvócső esetében rendszeresen kenheti a fúvócső gallérját (nagy nyomásról alacsony nyomásra) vízben oldhatatlan kenőanyaggal.





## 10. TISZTÍTÓSZEREK HASZNÁLATA

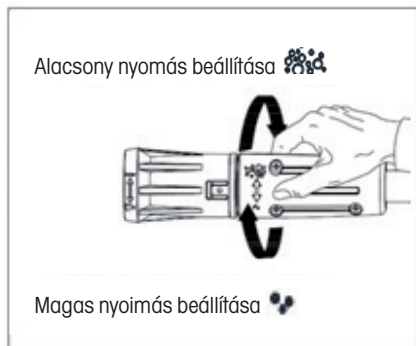
**EZ A NAGNYOMÁSÚ TISZTÍTÓ ALACSONY NYOMÁS MELLETT ADAGOLJA A TISZTÍTÓSZERT. A TISZTA ÖBLÍTÉSHEZ HASZNÁLJA AZ ÁLLÍTHATÓ FÚVÓCSÖVET.**

**A BIOLÓGIAILAG LEBONTHATÓ TISZTÍTÓSZER KIFEJEZETTEN A KÖRNYEZET ÉS A NAGNYOMÁSÚ TISZTÍTÓ VÉDELMÉRE VANNAK LÉTREHOZVA.**

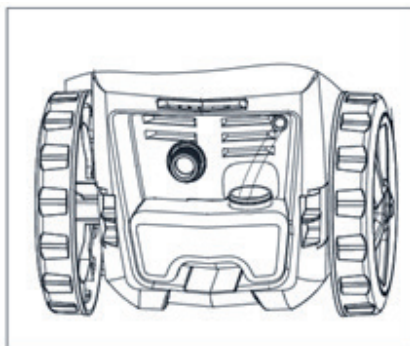
**EZEK A TISZTÍTÓSZEREK NEM TÖMIK EL A SZŰRŐT, ÉS VÉDIK A NAGNYOMÁSÚ TISZTÍTÓ BELSŐ RÉSZÉT, HOGY MEGHOSSZABÍTSÁK AZ ÉLETTARTAMÁT.**

A beépített tisztítószer-adagoló sokféle folyékony tisztítószer alkalmazását teszi lehetővé a munkafelületen. A tisztítószer alkalmazása csak alacsony nyomáson történik. Helyezze az állítható fúvócsövet a pisztolyba, és fordítsa a vége felé „” úgy, hogy a nagynyomású tisztító alacsony nyomású üzemmódban legyen (lásd az alábbi A ábrát). Távolítsa el a tisztítószer tartály kupakját, és töltsen fel csak folyékony tisztítószerrel (lásd az alábbi B. ábrát). Ne öntsön vizet ebbe a tartályba. A nagynyomású tisztító automatikusan keveri a vizet és a tisztítószerrel. Miután a tisztítószer felvitte a munkafelületre, fordítsa el az állítható fúvócső „” vége felé, és permetezze a mosószer nagynyomású permettel (lásd az alábbi A ábrát). Nagynyomású üzemmódban a nagynyomású tisztító nem ad ki tisztítószerrel.

A ábra



B ábra



### ⚠ FIGYELEM!

SOHA NE HASZNÁLJON OLYAN TERMÉKEKET, MELYEK FEHÉRÍTŐT, KLÓRT VAGY BÁRMILYEN MARÓ ANYAGOT TARTALMAZNAK, BELEÉRTVE AZ OLDÓSZERES FOLYADÉKOKAT IS (AZAZ GÁZOK, OLAJAK, STB.), NÁTRIUMFOSZFÁT, AMMÓNIA TARTALMÚ VAGY SAVALAPÚ TISZTÍTÓSZERKEKET. EZEK A VEGYI ANYAGOK KÁROSÍTNÁK A KÉSZÜLÉKET ÉS A TISZTÍTOTT FELÜLET KÁROSODÁSÁT IS OKOZHATNÁK. MINDIG OLVASSA EL A CÍMKÉN FELTÜNTETETT INFORMÁCIÓKAT.

# 11. TISZTÍTÁS ÉS TÁROLÁS

## A nagynyomású tisztító kikapcsolása

### **A NAGYNYOMÁSÚ TISZTÍTÓ HASZNÁLATA UTÁN TEGYE MEG A KÖVETKEZŐ LÉPÉSEKET A KÉSZÜLÉK KIKAPCSOLÁSÁHOZ:**

- ✿ A nagynyomású tisztítót kapcsolja OFF (kikapcs) állásba.
- ✿ Zárja el a vízbemenetet.
- ✿ Mielőtt leválasztaná a nagynyomású tömlő csatlakozását, irányítsa a pisztolyt biztonságos irányba és engedje ki a nagynyomású vizet.
- ✿ Válassza le a nagynyomású tömlőt a nagynyomású tisztítóról és a pisztolyról.
- ✿ Válassza le a kerti tömlőt a nagynyomású tisztítóról.
- ✿ Távolítsa el a gyorscsatlakozó szerelvényt a kerti tömlőből, és tárolás céljából rögzítse a nyomásmosóra szerelt csatlakozócsonkhoz.
- ✿ Távolítsa el a felesleges vizet a szivattyúból úgy, hogy a készüléket mindkét oldalon megdönti, hogy a maradék vizet kiöntse a be- és kimeneti szerelvényekből.
- ✿ Távolítsa el a vízellátó szűrőt és öblítse le vízzel a szennyeződések és törmelék eltávolításához. Tisztítás után tegye vissza a szűrőt.
- ✿ Engedje le a tisztítószer tartályt, és öblítse ki folyóvízzel.
- ✿ Törölje le a maradék vizet minden alkatrészről és szerelvényről.
- ✿ Aktiválja a pisztoly biztonsági zárát.
- ✿ Tárolja a nagynyomású tisztítót, alkatrészeit és tartozékait 0 °C (32 °F) feletti hőmérsékletű helyen.

### **KÖVESSE A FELÜL MEGJELENÍTETT UTASÍTÁSOKAT A KIKAPCSOLÁSHOZ ÉS A TOVÁBBI LÉPÉSEKET IS...**

- ✿ A vízellátás leválasztása után és a nagynyomású tömlő leválasztása előtt **2-3 másodpercre** kapcsolja be a nagynyomású tisztítót, amíg a maradék vizet eltávolítja a szivattyúból.

### **AZONNAL KAPCSOLJA KI A KÉSZÜLÉKET. A NYOMÁSTISZTÍTÓ HASZNÁLATA CSATLAKOZTATOTT VÍZELLÁTÁS NÉLKÜL A KÉSZÜLÉK KOMOLY KÁROSODÁSÁT OKOZZA!**

- ✿ Mindig tárolja a nagynyomású tisztítót, alkatrészeit és tartozékait 0 °C (32 °F) feletti hőmérsékletű helyen.

### **⚠ FIGYELEM!**

HA FIGYELMEN KÍVÜL HADJA EYEKET A TÁROLÁSI UTASÍTÁSOKAT, A SZIVATTYÚ KÁROSODÁSÁT OKOZHATJA.

## 12. KARBANTARTÁS

- ☼ Ez a nagynyomású tisztító zárt kenőrendszerrel érkezik, így nem kell olajat adni hozzá.
- ☼ Használat előtt ellenőrizze, hogy az összes tömlő és tartozék nem sérült.
- ☼ Rendszeresen ellenőrizze, hogy a bemenő szűrőben nincs-e lerakódás. A maximális teljesítmény érdekében rendszeresen tisztítsa meg ezt a szűrőt.

### TISZTÍTÁSI TIPPEK

#### **⚠ FIGYELEM!**

MIELŐTT A TISZTÍTANDÓ FELÜLETRE PERMETEZNE, TESZTELJE A PERMETEZÉST EMBEREK ÉS TÁRGYAK NÉLKÜLI TERÜLETEN.

#### **Fa és vinil padlók**

Öblítse le a padlót és a környezetét ivóvízzel. Ha tisztítószerrel használ, tölts fel a tisztítószer tartályt, és alacsony nyomással vigye fel a tisztítandó területre. Az optimális eredmény érdekében ossza fel a munkaterületet kisebb részekre és fokozatosan tisztítsa meg őket. Hagyja a tisztítószerrel néhány percig a felületen hatni, majd nagy nyomással öblítse le a felületet. **NE HADJA RÁSZÁRADNI A TISZTÍTÓSZERT A FELÜLETRE.** A legjobb eredmény elérése érdekében mindig balról jobbra és felülről lefelé tisztítva haladjon. Öblítse le nagy nyomással legyezős permetezővel úgy, hogy a permetező fúvócső hegyét legalább 15-22 cm-re (6-9 hüvelyk) tartja a tisztítandó felülettől. Közvetlen permetezés esetén tartson nagyobb távolságot a tisztítandó területtől.

**⚠ FIGYELEM!** Finomabb fa esetén növelje a távolságot a tisztítandó területtől.

#### **Beton udvarok, kő és tégl**

Öblítse le a tisztított felületet és a környezetét ivóvízzel. Ha tisztítószerrel használ, tölts fel a tisztítószer tartályt, és alacsony nyomással vigye fel a tisztítandó területre. Öblítse le nagy nyomással legyezős permetezővel úgy, hogy a permetező fúvócső hegyét legalább 7-15 cm-re (3-6 hüvelyk) tartja a tisztítandó felülettől. Közvetlen permetezés esetén tartson nagyobb távolságot a tisztítandó területtől.

#### **Autók, hajók és motorkerékpárok**

Öblítse le a tisztított felületet és a környezetét ivóvízzel. Ha tisztítószerrel használ, tölts fel a tisztítószer tartályt, és alacsony nyomással vigye fel a tisztítandó területre. A legjobb eredmény elérése érdekében egyszerre csak az egyik oldalt tisztítsa. Hagyja a tisztítószerrel néhány percig hatni a felületen, de ne hagyja megszáradni. Öblítse le nagy nyomással legyezős permetezővel úgy, hogy a permetező fúvócső hegyét legalább 20 cm-re (8 hüvelyk) tartja a tisztítandó felülettől. Közvetlen permetezés esetén tartson nagyobb távolságot a tisztítandó területtől. Csiszolt felület esetén törölje szárazra a felületet.

#### **Grillsütők, elektromos berendezések és kerti szerszámok**

Öblítse le a tisztított felületet és a környezetét ivóvízzel. Ha tisztítószerrel használ, tölts fel a tisztítószer tartályt, és alacsony nyomással vigye fel a tisztítandó területre. Hagyja a tisztítószerrel néhány percig hatni a felületen, de ne hagyja megszáradni. Öblítse le nagy nyomással legyezős permetezővel úgy, hogy a permetező fúvócső hegyét legalább 2-7 cm-re (1-3 hüvelyk) tartja a tisztítandó felülettől. Közvetlen permetezés esetén tartson nagyobb távolságot a tisztítandó területtől.

## 13. MŰSZAKI ADATOK

Névleges feszültség	AC 220 - 240 V
Névleges frekvencia	50/60 Hz
Névleges fogyasztás	1600W
Névleges nyomás	90 bar (9 MPa)
Maximális nyomás	130 bar (13 MPa)
Névleges áramlás	6 l/min
Maximális áramlás	7 l/min
A vízellátás max. hőmérséklete	50°C
Védelmi osztály	II.
Tömeg	7,3 kg
Maximális vízbemeneti nyomás pascalban	1,2 MPa
Hangnyomásszint (K = 3 dB (A)): $L_{pA}$	79 dB
Hangteljesítményszint (K = 3 dB (A)): $L_{pA}$	90 dB

### JÓTÁLLÁS

A garanciális feltételeket lásd a mellékelt jótállási feltételekben.

### KÖRNYEZET

Ha készülékét hosszú használat után ki kell cserélni, ne dobja a háztartási hulladékba, hanem környezetbarát módon ártalmatlanítsa.

## 14. HIBAEELHÁRÍTÁSI TIPPEK

### AMIKOR A KAPCSOLÓ „I” HELYZETBEN VAN, ÉS A KÉSZÜLÉK NEM INDUL

VALÓSZÍNŰ OK	MEGOLDÁS
Meghibásodott hálózati aljzat	Ellenőrizze a csatlakozót, az aljzatot és a biztosítékokat
Elégtelen feszültség	Ellenőrizze, hogy a feszültség megfelelő
A tápkábel nincs csatlakoztatva	Csatlakoztassa a tápkábelt

### A SZIVATTYÚ NEM ÉRI EL A MEGFELELŐ NYOMÁST VAGY INGADOZIK

VALÓSZÍNŰ OK	MEGOLDÁS
A vízellátó szűrő eltömődött	Cserélje ki és tisztítsa meg a szűrőt
A szivattyú levegőt pumpál	Tömítse a csatlakozást / légtelenítse a rendszert
A szívószelepek eltömődtek / elhasználódtak	Tisztítsa meg vagy cserélje ki a szelepeket
A kerti tömlő átmérője túl kicsi	Cserélje ki $\frac{3}{4}$ hüvelyk átmérőjű kerti tömlőre
A vízellátás korlátozott	Ellenőrizze, hogy a tömlőn nincsenek csomók vagy repedések
Elégtelen vízellátás	Nyissa ki teljesen a vízforrást

### A NAGNYOMÁSÚ TISZTÍTÓBAN NINCS VAGY NEM TARTSA MEG A NYOMÁST

VALÓSZÍNŰ OK	MEGOLDÁS
Túl sok levegő a vízcsőben és a szivattyúban	Kapcsolja ki a készüléket és a vízellátást/ Légtelenítse a rendszert / Tartsa lenyomva az indítógombot

### A NAGNYOMÁSÚ TISZTÍTÓ TÚLZOTT ZAJT BOCSÁJT KI

VALÓSZÍNŰ OK	MEGOLDÁS
Blokkolt ellátás	Ellenőrizze a bemeneti szelepeket
A szelepek kopottak, piszkosak vagy eldugultak	Ellenőrizze, tisztítsa meg vagy cserélje ki a szelepeket
A szűrő piszkos	Ellenőrizze, tisztítsa meg vagy cserélje ki a szűrőt

### A MOTOR HASZNÁLAT KÖZBEN MEGÁLL

VALÓSZÍNŰ OK	MEGOLDÁS
A hálózati feszültség alacsonyabb a szükségesnél	Ellenőrizze, hogy a feszültség megfelelő

# 15. MEGSEMMISÍTÉS



A szerszámot, újratölthető akkumulátorokat, tartozékokat és csomagolóanyagokat a környezetkímélő újrahasznosítás érdekében szét kell válogatni.

Az elektromos szerszámokat, akkumulátorokat és újratölthető akkumulátorokat ne dobja a háztartási hulladék közé!

## Csak az Európai Unió országai esetében:



A 2012/19/EU európai irányelv szerint a már nem használt elektromos szerszámokat, és a 2006/66/EK európai irányelvnek megfelelően a hibás vagy használt akkumulátorokat külön kell összegyűjteni és környezetbarát módon megsemmisíteni.

### A HASZNÁLT CSOMAGOLÓANYAGOKRA VONATKOZÓ MEGSEMMISÍTÉSI UTASÍTÁSOK ÉS TÁJÉKOZTATÓ

Az összes használt csomagolóanyagot a hulladékkezelő hatóság által kijelölt helyen adja le.

### HASZNÁLT ELEKTROMOS ÉS ELEKTRONIKUS BERENDEZÉSEK MEGSEMMISÍTÉSE



Ez a jel a terméken vagy a kísérő dokumentációban azt jelzi, hogy a kiselejtezett elektromos és elektronikus berendezéseket nem szabad a háztartási hulladék közé dobni. Vigye el őket az erre meghatározott gyűjtőudvarokba, ahol gondoskodnak helyes megsemmisítésükről, felújításukról vagy újrahasznosításukról. Az Európai Unió egyes országában vagy más európai országokban a termékek az eladóhelyen megfelelő új termék vásárlásánál visszaválthatók lehetnek. A termék megfelelő módon történő megsemmisítésével segít megőrizni az értékes természeti erőforrásokat, és hozzájárul a nem megfelelő hulladék-megsemmisítés által okozott esetleges negatív környezeti és egészségügyi hatások megelőzéséhez. További részletekért forduljon a helyi önkormányzathoz vagy a legközelebbi hulladék-megsemmisítő gyűjtőtelephez. Az ilyen típusú hulladék helytelen megsemmisítése esetén a vonatkozó nemzeti előírásoknak megfelelően bírságok szabhatók ki.

### Az Európai Unió országában működő vállalatok számára

Ha elektromos vagy elektronikus berendezést kíván megsemmisíteni, kérjen információt a termék eladójától vagy forgalmazójától.

### Megsemmisítés Európai Unió kívüli országokban

Ha ezt a terméket meg akarja semmisíteni, kérje a helyi hatóságoktól vagy a forgalmazótól a megsemmisítéssel kapcsolatos információkat.



Ez a termék teljesíti az EU valamennyi vonatkozó irányelvének alapkövetelményeit.

A szövegben, kivételben és műszaki jellemzőkben előzetes figyelmeztetés nélkül változtatások történhetnek, és e változtatások jogát fenntartjuk.

Az eredeti használati útmutató fodítása.







# Myjka wysokociśnieniowa

## INSTRUKCJA OBSŁUGI

**Dziękujemy za zakupienie myjki wysokociśnieniowej. Przed przystąpieniem do użytkowania należy dokładnie zapoznać się z niniejszą instrukcją i zachować ją do wglądu w przyszłości**

## SPIS TREŚCI

1. WAŻNE WSKAZÓWKI DOTYCZĄCE BEZPIECZEŃSTWA.....	92
2. WAŻNE INFORMACJE DOTYCZĄCE BEZPIECZEŃSTWA.....	92
3. OGÓLNE INFORMACJE DOTYCZĄCE BEZPIECZEŃSTWA .....	93
4. SYMBOLE.....	94
5. SERWIS URZĄDZEŃ Z PODWÓJNĄ IZOLACJĄ .....	96
6. STOSOWANIE PRZEDŁUŻACZY .....	96
7. PRAWIDŁOWE UŻYWANIE MYJKI CIŚNIENIOWEJ .....	97
8. WSKAZÓWKI DOTYCZĄCE MONTAŻU .....	98
9. ZALECENIA DOTYCZĄCE OBSŁUGI .....	102
10. STOSOWANIE ŚRODKÓW CZYSZCZĄCYCH.....	105
11. CZYSZCZENIE I PRZECHOWYWANIE.....	106
12. KONSERWACJA.....	107
13. DANE TECHNICZNE .....	108
14. ROZWIĄZYWANIE PROBLEMÓW.....	109
15. UTYLIZACJA .....	110

# 1. WAŻNE WSKAZÓWKI DOTYCZĄCE BEZPIECZEŃSTWA

- Nigdy** nie kieruj dyszy wysokiego ciśnienia w stronę osób lub zwierząt.
- Nigdy** podczas użytkowania tej myjki wysokociśnieniowej nie pij alkoholu i nie zażywaj narkotyków.
- Nigdy** nie używaj tej myjki wysokociśnieniowej stojąc w wodzie.
- Nigdy** nie dotykaj wtyczki zasilania mokrymi rękami.
- Nigdy** nie dopuszczaj do tego, aby kabel elektryczny leżał w wodzie.
- Nigdy** nie używaj tej myjki wysokociśnieniowej bez podłączenia wody.
- Nigdy** nie używaj gorącej wody w tej myjce wysokociśnieniowej.

# 2. WAŻNE INFORMACJE DOTYCZĄCE BEZPIECZEŃSTWA

**⚠ UWAGA!** Podczas używania tego produktu należy przestrzegać podstawowych zasad bezpieczeństwa, w tym następujących:

1. Przed użyciem tego produktu przeczytaj wszystkie instrukcje. Zachowaj wskazówki bezpieczeństwa do późniejszego użytku.
2. Nie używaj tej myjki wysokociśnieniowej w warunkach zmęczenia lub pod wpływem alkoholu lub narkotyków.
3. Ryzyko wytryśnięcia lub powstania obrażeń – nie kieruj strumienia wody pod ciśnieniem na osoby lub zwierzęta.
4. Nie dopuść do użytku tej myjki wysokociśnieniowej przez dzieci.
5. Aby zminimalizować ryzyko, podczas użytkowania tej myjki wysokociśnieniowej w obecności dzieci należy zapewnić właściwy nadzór.
6. Naucz się, jak zatrzymywać urządzenie i jak natychmiast zmniejszyć ciśnienie. Naucz się biegle obsługi elementów sterujących.
7. Zachowaj ostrożność – przez cały czas kontroluj, w którą stronę skierowana jest dysza
8. Upewnij się, że inne osoby znajdują się poza obszarem mycia.
9. Przez cały czas utrzymuj stałą pozycję i równowagę – nie przeceniaj swoich sił i nie stawaj na niestabilnej powierzchni.
10. W przestrzeni roboczej powinien znajdować się odpowiedni odpływ, aby zmniejszyć ryzyko upadku na śliskiej powierzchni.
11. Przestrzegaj zaleceń dotyczących konserwacji podanych w niniejszej instrukcji.
12. Aby zapobiec porażeniu prądem elektrycznym upewnij się, że wszystkie połączenia są suche i nie leżą na ziemi. Nie dotykaj wtyczki mokrymi rękami.

### 3. OGÓLNE INFORMACJE DOTYCZĄCE BEZPIECZEŃSTWA

1. Urządzenie jest przeznaczone wyłącznie do użytku domowego.
2. W wyniku zużycia, nieprawidłowego użytkowania, zaplątania itd. w węży ciśnieniowym mogą pojawić się pęknięcia. Nie używaj uszkodzonego węża.
3. Nie używaj myjki wysokociśnieniowej w miejscach znajdujących się w pobliżu materiałów łatwopalnych, gazów łatwopalnych lub pyłu.
4. Niektóre środki chemiczne lub czyszczące mogą być szkodliwe po spożyciu lub wdychaniu i mogą spowodować poważne obrażenia. W razie zaistnienia ryzyka wdychania oparów, należy stosować maskę. Przeczytaj instrukcje dołączone do maski, aby upewnić się, że maska zapewnia odpowiednią ochronę przed wdychaniem szkodliwych oparów.
5. Przed uruchomieniem myjki ciśnieniowej przy chłodnej pogodzie skontroluj wszystkie elementy urządzenia i upewnij się, że nie jest ono oblodzone. Nie przechowuj tego urządzenia w miejscach, w których temperatura spada poniżej 0 °C (32 °F).
6. **ZABRANIA SIĘ DOKONYWANIA MODYFIKACJI JAKICHKOLWIEK ELEMENTÓW! NIGDY nie używaj urządzeń z uszkodzonymi lub brakującymi elementami, bez osłon lub pokrowców**
7. Podczas zwiększania ciśnienia w układzie wąż wysokociśnieniowy powinien być podłączony do myjki wysokociśnieniowej i pistoletu natryskowego. Odłączanie węża podczas zwiększania ciśnienia w układzie jest niebezpieczne i może być przyczyną obrażeń.
8. Kiedy wyłącznik zasilania jest w pozycji włączonej (ON), nie pozostawiaj myjki ciśnieniowej bez nadzoru.
9. Nie kieruj strumienia wody na instalacje elektryczne, ponieważ może to spowodować śmiertelne porażenie prądem.

## 4. SYMBOLE

Etykiety na narzędziach i w instrukcji mogą zawierać symbole. Przedstawiają one ważne informacje dotyczące produktu lub instrukcje jego użycia.



Wskazują potencjalne ryzyko obrażeń.



Konstrukcja o podwójnej izolacji



Nie używaj w deszczu i w wilgotnym środowisku.



Aby zminimalizować ryzyko obrażeń, użytkownik powinien przeczytać instrukcję obsługi i zrozumieć podane w niej polecenia przed użyciem tego produktu.



Podczas używania tego produktu należy stosować okulary ochronne z osłoną boczną, a w razie potrzeby pełną osłonę twarzy.



Aby zminimalizować ryzyko wytryśnięcia lub obrażeń nie wolno kierować strumienia wody na osoby lub zwierzęta oraz wkładać do tego strumienia żadnych części ciała.

Przeciekające węże i złączki również mogą spowodować obrażenia w wyniku wytryśnięcia. Nie trzymaj węży ani złączy.



Aby zminimalizować ryzyko powstania obrażeń w wyniku odrzutu, przy włączonym urządzeniu trzymaj mocno nasadkę natryskową obiema rękami.



W przypadku używania urządzenia w wilgotnym środowisku lub nieprzestrzegania instrukcji bezpieczeństwa może dojść do porażenia prądem elektrycznym.



**Ostrzeżenie! Nie kieruj pistoletu na osoby, zwierzęta, części ciała, źródła energii lub jakiegokolwiek urządzenia elektryczne**



Urządzenie nie jest przeznaczone do podłączenia do instalacji wody pitnej



Zużytych urządzeń elektrycznych nie wolno wyrzucać razem z odpadami komunalnymi, należy przekazać je do punktu zbiórki do recyklingu. Informacji o możliwości recyklingu udzielą lokalne urzędy lub sprzedawca.

## 5. SERWIS URZĄDZEŃ Z PODWÓJNĄ IZOLACJĄ

W przypadku produktów z podwójną izolacją zamiast uziemienia dostępne są dwa układy izolacyjne. Produkt z podwójną izolacją nie ma żadnych elementów uziemiających, do takiego produktu nie należy też podłączać żadnego elementu uziemiającego. Serwis produktu z podwójną izolacją wymaga wyjątkowej ostrożności oraz znajomości systemu i powinien go wykonywać wyłącznie wykwalifikowany serwisant. Części zapasowe do produktu z podwójną izolacją muszą być identyczne jak części podlegające wymianie. Produkt z podwójną izolacją jest oznaczony słowami „DOUBLE INSULATION” (Podwójna izolacja) lub „DOUBLE INSULATED” (Podwójnie izolowany).

Na produkcie może się również znajdować taki  symbol.

## 6. STOSOWANIE PRZEDŁUŻACZY

NIE ZALECA SIĘ stosowania przedłużaczy z tym produktem. Jeżeli konieczne jest zastosowanie przedłużacza, należy stosować wyłącznie przedłużacz przeznaczony do użytku zewnętrznego. Takie przedłużacze oznaczone są napisem „ACCEPTABLE FOR USE WITH OUTDOOR APPLIANCES, STORE INDOORS WHILE NOT IN USE” (Przeznaczony do użytku z urządzeniami zewnętrznymi. Nieużywany produkt należy przechowywać w pomieszczeniu). Stosuj wyłącznie przedłużacze, których elektryczne parametry znamionowe są co najmniej takie same, jak parametry znamionowe produktu. Przed użyciem skontroluj przedłużacz. NIE UŻYWAJ USZKODZONYCH PRZEDŁUŻACZY! Nie odtaczaj kabla z gniazdka ciągnąc za kabel – w każdym przypadku wyciągnij wtyczkę. Utrzymuj kabel z dala od źródeł ciepła i ostrych krawędzi. Przed odłączeniem produktu od przedłużacza odłącz przedłużacz z gniazdka.

**⚠ UWAGA!** Aby zapobiec porażeniu prądem elektrycznym upewnij się, że wszystkie połączenia są suche i nie leżą na ziemi. Nie dotykaj wtyczki mokrymi rękami.

- ☼ Nie używaj urządzenia, jeżeli uszkodzeniu uległ kabel zasilający lub istotne elementy urządzenia, takie jak bezpieczniki, węże wysokociśnieniowe i pistolet natryskowy.
- ☼ Jeżeli używasz przedłużacza, wtyczka i gniazdko muszą mieć wodoszczelną konstrukcję.

**⚠ UWAGA!** Nieodpowiednie przedłużacze mogą być niebezpieczne.

- ☼ Przed rozpoczęciem czyszczenia lub konserwacji, przed wymianą części lub przed zmianą funkcji urządzenia odłącz wtyczkę z gniazdka.



## 7. PRAWIDŁOWE UŻYWANIE MYJKI CIŚNIENIOWEJ

**URZĄDZENIE JEST PRZEZNACZONE WYŁĄCZNIE DO UŻYTKU Z ZIMNĄ WODĄ!  
NIE UŻYWAJ GORĄCEJ WODY W TEJ MYJCE CIŚNIENIOWEJ.**

1. Używaj w tej myjce ciśnieniowej cieczy pod ciśnieniem, które nie przekracza ciśnienia znamionowego tej myjki. Nigdy nie używaj tej myjki wysokociśnieniowej bez doprowadzenia wody. Stosowanie urządzenia bez doprowadzenia wody powoduje trwałe uszkodzenie urządzenia.
2. Upewnij się, że źródło wody stosowanej w tej myjce ciśnieniowej nie było zanieczyszczone, nie zawierało piasku ani żadnych żrących chemikaliów. Stosowanie zanieczyszczonego źródła wody ma negatywny wpływ na trwałość tej myjki ciśnieniowej.
3. **⚠ UWAGA** – Myjka ciśnieniowa może być używana do różnych zastosowań, w tym mycia samochodów, łodzi, podwórek, pokładów, garaży itp. i wszędzie tam, gdzie do usunięcia zabrudzeń i okruchów niezbędne jest wysokie ciśnienie.

**Strumień wody pod wysokim ciśnieniem może w przypadku niewłaściwego użycia uszkodzić czyszczoną powierzchnię!** Zob. fragment pod nazwą „Zalecenia dotyczące obsługi”, w którym podano dalsze szczegóły. Natrysk należy najpierw przetestować na otwartym terenie.

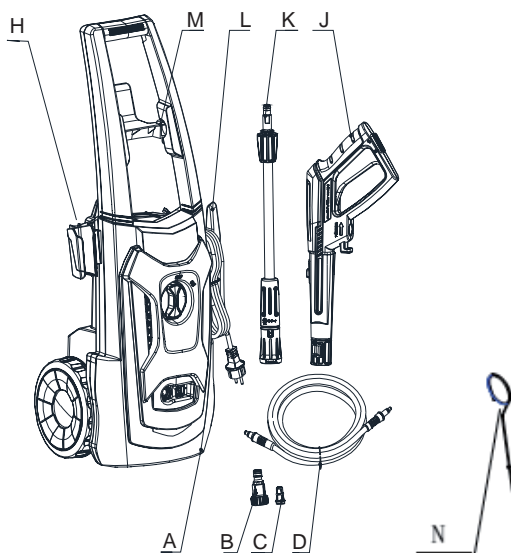
4. NIGDY nie przesuwaj urządzenia ciągnąc je za wąż wysokociśnieniowy. Stosuj w tym celu uchwyt, znajdujący się w górnej części urządzenia.
5. Zawsze trzymaj pistolet ciśnieniowy i lancę obiema rękami. Jedną rękę trzymaj na pistolecie/spuście, podpierając lancę drugą ręką (zob. rysunek).
6. Przy rozpylaniu środka czyszczącego na czyszczoną powierzchnię, aplikuj go wyłącznie pod niskim ciśnieniem. Po aplikacji środka czyszczącego usuń środek z obszaru roboczego przy pomocy natrysku regulowaną dyszą.

# 8. WSKAZÓWKI DOTYCZĄCE MONTAŻU

## Wypakowanie

Po otwarciu pudełka wyjmij wszystkie elementy i sprawdź, czy zgadzają się z podaną poniżej listą komponentów w zestawie:

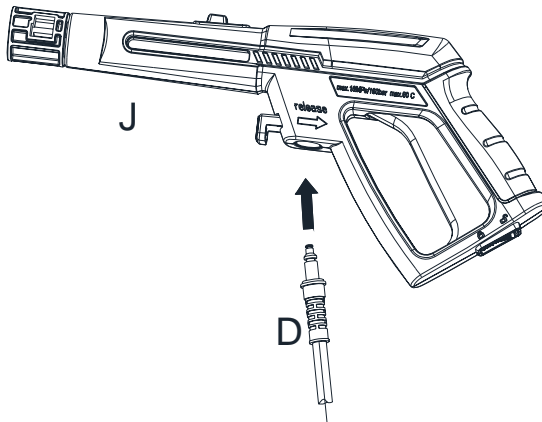
- |                                    |                                    |
|------------------------------------|------------------------------------|
| A. Korpus myjki wysokociśnieniowej | J. Pistolet                        |
| B. Szybkozłączka i filtr (C)       | K. Dysza regulowana                |
| L. Haczyk kabla zasilającego       | M. Haczyk węża wysokociśnieniowego |
| D. Wąż wysokociśnieniowy           | N. Igła czyszcząca                 |
| H. Uchwyt pistoletu                |                                    |



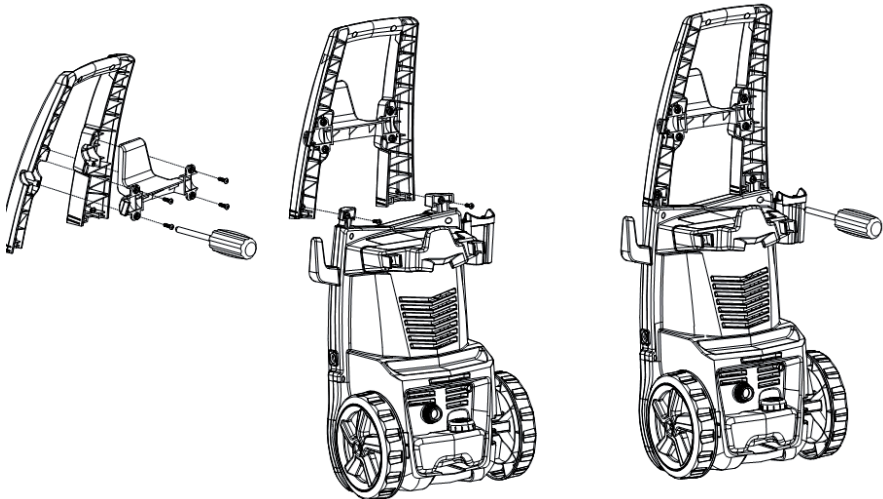
Z powodu transportu i pakowanie niektóre elementy wyposażenia mogą być zdemontowane. Postępuj zgodnie ze wskazówkami dotyczącymi montażu.

**Krok 1**

Przymocuj wąż wysokociśnieniowy (D) do pistoletu (J). Włóż go i szybko podłącz szczelną, aby nie doszło do wycieku. Po prawidłowym połączeniu tych elementów nie można ich oddzielić poprzez wyciągnięcie z pistoletu. Naciśnij przycisk blokady spustu, a następnie wyciągnij wąż wysokociśnieniowy.

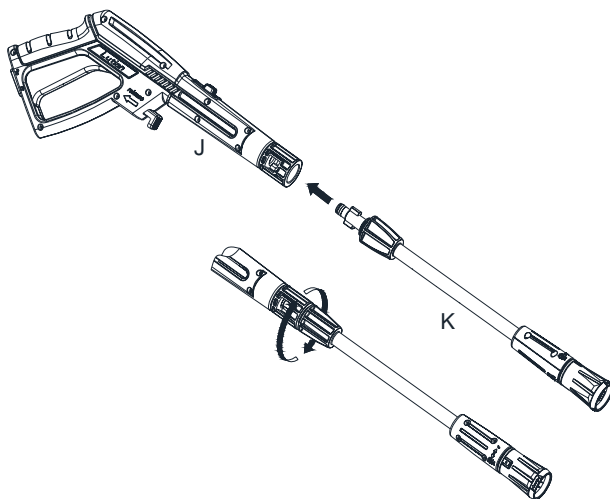
**Krok 2**

Dokręć szczelną uchwyty myjki do korpusu, jak pokazano na poniższym rysunku. Śruby są zapakowane razem z korpusem, dlatego należy je znaleźć podczas rozpakowywania.

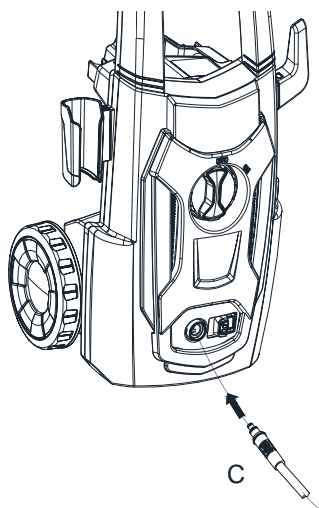


**Krok 3**

Włóż regulowaną dyszę natryskową (K) do pistoletu (J) i obróć ją w kierunku ruchu wskazówek zegara tak, aby ręcznie zablokować ją w odpowiedniej pozycji. Po prawidłowym połączeniu tych elementów nie można ich oddzielić poprzez zwykłe wyciągnięcie regulowanej dyszy. Aby wszystko działało, należy włożyć do pistoletu wszystkie akcesoria.

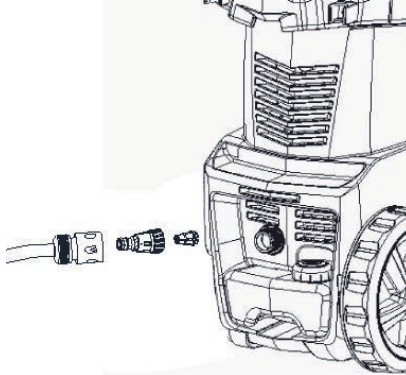
**Krok 4**

Przymocuj wąż wysokociśnieniowy (C) do wylotu wody myjki ciśnieniowej. Włóż go i szybko podłącz szczelnie, aby nie dochodziło do wycieków. Po prawidłowym połączeniu tych elementów nie można ich oddzielić poprzez wyciągnięcie z otworu wylotu wody. Naciśnięcie „Przycisku” w kierunku strzałki umożliwia wyciągnięcie węża wysokociśnieniowego.



**Krok 5**

Przymocuj złączkę węża do myjki wysokociśnieniowej. Przed połączeniem złączki do kształtki wtykowej usuń plastikową osłonę, którą umieszczono w kształtce wtykowej w myjce przed wysłaniem produktu. Po usunięciu plastikowej osłony można ją wyrzucić. Po zamontowaniu obu elementów przymocuj wąż ogrodowy przy pomocy śrub złączki na myjce wysokociśnieniowej. Podłącz wąż ogrodowy do rury odpływowej.



## 9. ZALECENIA DOTYCZĄCE OBSŁUGI

**URZĄDZENIE JEST PRZEZNACZONE WYŁĄCZNIE DO UŻYTKU Z ZIMNĄ WODĄ!  
NIE UŻYWAJ GORĄCEJ WODY W TEJ MYJCE CIŚNIENIOWEJ!**

### Włączanie

Po podłączeniu myjki ciśnieniowej do przyłącza zimnej wody postępuj następująco:

- ✿ Upewnij się, że wyłącznik ON/OFF znajduje się w pozycji OFF (Wyłączono).
  - ✿ Podłącz wąż ogrodowy do złączki wlotowej.
  - ✿ Przymocuj wąż do pistoletu według kroku nr 1 instrukcji montażu.
  - ✿ Włóż regulowaną dyszę natryskową do pistoletu zgodnie z krokiem nr 3 instrukcji montażu.
  - ✿ Podłącz wąż wysokociśnieniowy do złączki wylotowej zgodnie z krokiem nr 4 instrukcji montażu.
  - ✿ Podłącz wąż ogrodowy do złączki wlotowej myjki wysokociśnieniowej zgodnie z krokiem nr 5 instrukcji montażu.
  - ✿ Odkręć całkowicie zawór dopływu wody.
  - ✿ Przed włączeniem urządzenia naciśnij spust pistoletu, aby usunąć pozostałe powietrze z pompy i węża.
  - ✿ Uruchojmyjkę ciśnieniową przelączając wyłącznik on/off w pozycję on (włączono) i naciśnij spust.
- PAMIĘTAJ:** Silnik nie pracuje nieprzerwanie, tylko przy naciśniętym spuście.

### ⚠ UWAGA!

**RYZYKO WYTRYŚNIĘCIA!** Po naciśnięciu spustu urządzenie rozpocznie spryskiwanie. Jeżeli po zakończeniu użycia wyłączysz urządzenie, wewnątrz węża i urządzenia wciąż będzie wysokie ciśnienie. Skieruj pistolet w bezpiecznym kierunku i zredukuj nadmiar ciśnienia. NIGDY nie kieruj strumienia wody pod ciśnieniem na osoby lub zwierzęta.

### Automatyczne włączanie/wyłączanie

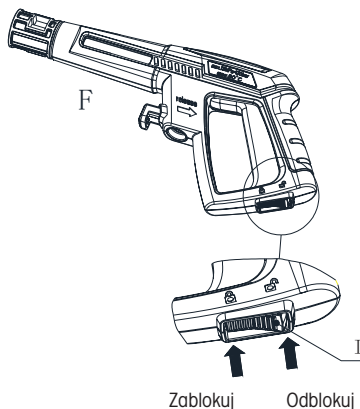
Myjka ciśnieniowa jest wyposażona w automatyczny wyłącznik. Myjka ciśnieniowa uruchomi się wyłącznie wtedy, gdy wyłącznik zasilania znajduje się w pozycji ON (Włączono) i naciśnięto spust pistoletu. Po zwolnieniu spustu w celu zatrzymania natrysku przy pomocy pistoletu, silnik myjki ciśnieniowej automatycznie się wyłączy. Aby kontynuować używanie myjki po prostu ponownie naciśnij spust. Aby zakończyć używanie myjki ciśnieniowej zwolnij spust i przelącz urządzenie w pozycję OFF (Wyłączono). W czasie, gdy urządzenie nie jest używane lub kiedy pozostaje bez nadzoru, należy je wyłączyć (OFF).

### Odpowietrzenie pistoletu

Bardzo ważne przed użyciem tej myjki ciśnieniowej jest odpowietrzenie pistoletu. Instrukcja montażu myjki ciśnieniowej znajduje się w części „Instrukcja montażu”. Aby odpowietrzyć pistolet, po prostu podłącz wąż ogrodowy do myjki ciśnieniowej i naciśnij spust PRZED włączeniem zasilania. Pozwala to na opróżnienie myjki i pistoletu z pozostałego w nich powietrza przed użyciem urządzenia. Przytrzymaj spust przez okres około jednej minuty, aby opróżnić urządzenie z powietrza. Podczas tej procedury przez urządzenie będzie przepływać woda pod niskim ciśnieniem. Inne wskazówki dotyczące odpowietrzenia znajdują się w części „Zalecenia dotyczące obsługi”.

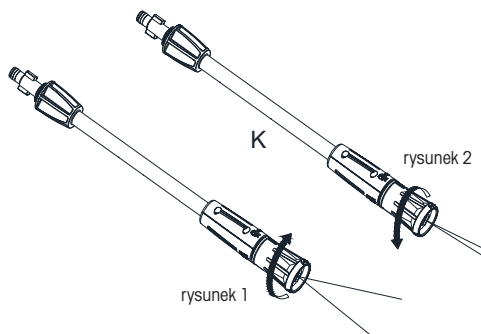
## Blokada pistoletu

Myjka ciśnieniowa jest wyposażona w blokadę spustu pistoletu. Jeżeli myjka ciśnieniowa nie jest używana, skorzystaj z blokady aby uniknąć przypadkowego włączenia natrysku pod wysokim ciśnieniem.



## Regulowana dysza natryskowa

Regulowana dysza pozwala na stosowanie różnych wzorów natrysku pod pełnego natrysku wachlarzowego (Rysunek 1) aż do bezpośredniego strumienia wody (Rysunek 2). Podczas stosowania tej myjki wysokociśnieniowej do czyszczenia drewnianych pokładów, płytek, samochodów itp. zacznij od natrysku wachlarzowego z odległości co najmniej 90 cm (36"), aby zapobiec uszkodzeniu powierzchni czyszczonego materiału. Zawsze zacznij od natrysku na obszar testowy, gdzie nie ma innych osób ani przedmiotów.

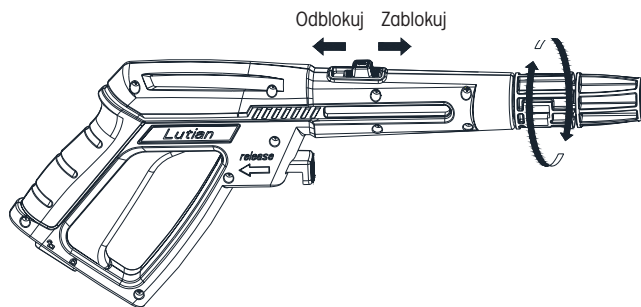


**⚠ UWAGA!** Woda pod wysokim ciśnieniem może być w przypadku nieprawidłowego użycia niebezpieczna. Zabrania się kierowania dyszy na osoby, urządzenia elektryczne pod napięciem lub samo urządzenie.

✿ Nie kieruj dyszy na siebie ani inne osoby w celu oczyszczenia odzieży lub obuwia.

## Obrót pistoletu

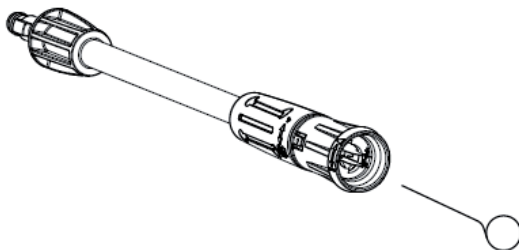
Obrót pistoletu zmienia kąt czyszczenia podczas stosowania pełnego natrysku wachlarzowego, aby każdy użytkownik mógł dobrać najbardziej komfortową i najsukuczniejszą pozycję mycia. Naciśnij przycisk „odblokowujący” bok, aby aktywować funkcję obrotu. Jeżeli nie chcesz używać tej funkcji, naciśnij przycisk „odblokowujący” bok.



## Odblokowanie lancy

Jeżeli dysza jest zapchana, powoduje wzrost ciśnienia w pompie i może spowodować odrzut urządzenia. W takiej sytuacji dyszę można wyczyścić, wkładając igłę do jej końcówki w celu usunięcia osadu.

W przypadku dyszy regulowanej można regularnie smarować kołnierz dyszy (służący do zmiany ciśnienia) smarem nierozpuszczalnym w wodzie.







## 10. STOSOWANIE ŚRODKÓW CZYSZCZĄCYCH

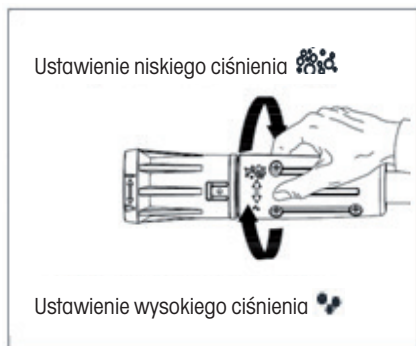
**MYJKA CIŚNIENIOWA DOZUJE ŚRODEK CZYSZCZĄCY POD NISKIM CIŚNIENIEM. DO PŁUKANIA NALEŻY ZASTOSOWAĆ DYSZĘ REGULOWANĄ.**

**BIODEGRADOWALNE ŚRODKI CZYSZCZĄCE OPRACOWANO TAK, ABY CHRONIŁY ŚRODOWISKO I TWOJĄ MYJKĘ CIŚNIENIOWĄ.**

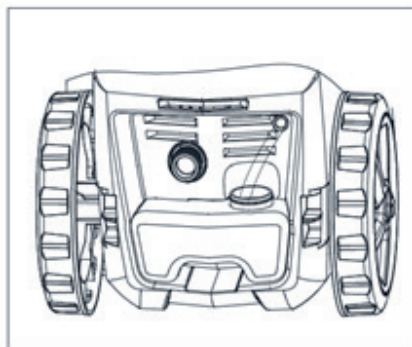
**TAKIE ŚRODKI CZYSZCZĄCE NIE ZAPYCHAJĄ FILTRA I CHRONIĄ WNĘTRZE MYJKI CIŚNIENIOWEJ, ABY PRZEDŁUŻYĆ JEJ TRWAŁOŚĆ.**

Wbudowany dozownik środka czyszczącego pozwala aplikować wiele form płynnych środków myjących na powierzchni roboczej. Środek czyszczący jest aplikowany wyłącznie pod niskim ciśnieniem. Włóż regulowaną dyszę do pistoletu i obróć ją w stronę końcówki „” tak, aby myjka wysokociśnieniowa była w trybie niskiego ciśnienia (zob. Rysunek A poniżej). Zdejmij pokrywę zbiorniczka środka czyszczącego i napełnij go środkiem czyszczącym w płynie (zob. Rysunek B poniżej). Nie wlewaj wody do tego zbiorniczka. Myjka wysokociśnieniowa automatycznie wymiesza wodę i środek czyszczący. Po zakończeniu aplikacji środka czyszczącego na powierzchni roboczej obróć ją w stronę końcówki „” dyszy regulowanej i natryskuj środek czyszczący pod wysokim ciśnieniem (zob. Rysunek A poniżej). W trybie wysokiego ciśnienia myjka wysokociśnieniowa nie będzie używać środka czyszczącego.

Rys. A



Rys. B



### **⚠ UWAGA!**

NIE UŻYWAJ PRODUKTÓW Z WYBIELACZAMI, CHLOREM LUB INNYMI SUBSTANCJAMI ŻRĄCYMI ORAZ PŁYNÓW ZAWIERAJĄCYCH ROZPUSZCZALNIKI (TJ. GAZY, OLEJE ITP.), PRODUKTÓW Z FOSFORANEM SODU, AMONIAKIEM LUB DETERGENTAMI NA BAZIE KWASÓW. TAKIE ŚRODKI CHEMICZNE MOGĄ USZKODZIĆ URZĄDZENIE I SPOWODOWAĆ USZKODZENIE CZYSZCZONEJ POWIERZCHNI. ZAWSZE CZYTAJ INFORMACJE NA ETYKIETACH.

# 11. CZYSZCZENIE I PRZECHOWYWANIE

## Wyłączenie myjki wysokociśnieniowej

### **PO ZAKOŃCZENIU UŻYCIA MYJKI CIŚNIENIOWEJ WYKONAJ NASTĘPUJĄCE KROKI W CELU WYŁĄCZENIA URZĄDZENIA:**

- ☼ Przetącz myjkę ciśnieniową w pozycję OFF (Wyłączono).
- ☼ Zakręć dopływ wody.
- ☼ Przed odłączeniem węża wysokociśnieniowego skieruj pistolet w bezpiecznym kierunku i wypuść wodę pod ciśnieniem.
- ☼ Odłącz wąż wysokociśnieniowy od myjki i pistoletu.
- ☼ Odłącz wąż ogrodowy od myjki.
- ☼ Zdejmij z węża ogrodowego szybkozłączkę i przymocuj ją do tulei kształtki zainstalowanej na myjce na czas przechowywania.
- ☼ Usuń z pompy nadmiar wody przechylając urządzenie w obie strony aby wylać pozostałą wodę ze złączek wlotowych i wylotowych.
- ☼ Wymij filtr doprowadzenia wody i przepłucz go wodą aby usunąć zanieczyszczenia i okruchy.  
Po oczyszczeniu włóż filtr z powrotem.
- ☼ Opróżnij zbiorniczek na środek czyszczący i przepłucz go bieżącą wodą.
- ☼ Zetrzyj wszelką wodę pozostałą na elementach i kształtkach.
- ☼ Aktywuj blokadę pistoletu.
- ☼ Przechowuj myjkę ciśnieniową, elementy i akcesoria w miejscu o temperaturze powyżej 0 °C (32 °F).

### **ZASTOSUJ SIĘ DO WSZYSTKICH POWYŻSZYCH POLECEŃ DOTYCZĄCYCH WYŁĄCZENIA, A DODATKOWO WYKONAJ NASTĘPUJĄCE KROKI...**

- ☼ Po odłączeniu dopływu wody i przed odłączeniem węża wysokociśnieniowego włącz myjkę ciśnieniową na **2-3 sekundy**, aż do usunięcia z pompy wszelkie pozostałej wody.

### **NATYCHMIAST WYŁĄCZ URZĄDZENIE.**

### **KONTYNUOWANIE UŻYWANIA MYJKI CIŚNIENIOWEJ BEZ PODŁĄCZONEGO ŹRÓDŁA WODY MOŻE SPOWODOWAĆ POWAŻNE USZKODZENIE URZĄDZENIA!**

- ☼ Przechowuj myjkę ciśnieniową, elementy i akcesoria w miejscu o temperaturze powyżej 0 °C (32 °C).

### **⚠ UWAGA!**

W PRZYPADKU NIEPRZESTRZEGANIA ZALECEŃ PRZECHOWYWANIA MOŻE DOJŚĆ DO USZKODZENIA POMPY.

## 12. KONSERWACJA

- ✿ Myjka ciśnieniowa jest wyposażona w zamknięty system smarowania, dlatego nie ma potrzeby dolewania oleju.
- ✿ Przed użyciem sprawdź, czy żaden wąż i elementy nie są uszkodzone.
- ✿ Regularnie sprawdzaj osady na filtry wejściowym. Regularnie czyść ten filtr aby zapewnić maksymalną wydajność.

### WSKAZÓWKI DOTYCZĄCE CZYSZCZENIA

**⚠ UWAGA!** PRZED NATRYSKIEM NA CZYSZCZONĄ POWIERZCHNIĘ SPRAWDŹ NATRYSK W MIEJSCU, W KTÓRYM NIE ZNAJDUJĄ SIĘ ŻADNE OSOBY ANI PRZEDMIOTY.

#### Pokłady drewniane i winylowe

Splucz pokład i sąsiadujące powierzchnie pitną wodą. Jeżeli używasz środka czyszczącego, napełnij zbiorniczek środkiem i aplikuj go pod niskim ciśnieniem na czyszczoną powierzchnię. Aby uzyskać optymalny efekt podziel powierzchnię na mniejsze części i myj je kolejno. Pozostaw środek czyszczący przez kilka minut na czyszczonej powierzchni a następnie splucz ją pod wysokim ciśnieniem. **NIE DOPUŚĆ DO WYSCHNIĘCIA ŚRODKA CZYSZCZĄCEGO.** Aby uzyskać najlepszy efekt myj od lewej do prawej i z góry na dół. Splucz pod wysokim ciśnieniem natryskiem wachlarzowym, trzymając końcówkę dyszy natryskowej w odległości co najmniej 15-22 cm (6-9 in) od czyszczonej powierzchni. Przy użyciu natrysku bezpośredniego utrzymuj większą odległość od czyszczonej powierzchni.

**⚠ UWAGA!** Podczas mycia delikatniejszych gatunków drewna, zwiększ odległość od czyszczonej powierzchni.

#### Betonowe podwórza, kamień i cegła

Splucz czyszczone miejsce i sąsiadujące powierzchnie pitną wodą. Jeżeli używasz środka czyszczącego, napełnij zbiorniczek środkiem i aplikuj go pod niskim ciśnieniem na czyszczoną powierzchnię. Splucz pod wysokim ciśnieniem natryskiem wachlarzowym, poruszając wahadłowo końcówkę dyszy natryskowej w odległości co najmniej 7-15 cm (3-6 in) od czyszczonej powierzchni. Przy użyciu natrysku bezpośredniego utrzymuj większą odległość od czyszczonej powierzchni.

#### Samochody, łodzie i motocykle

Splucz czyszczone miejsce i sąsiadujące powierzchnie pitną wodą. Jeżeli używasz środka czyszczącego, napełnij zbiorniczek środkiem i aplikuj go pod niskim ciśnieniem na czyszczoną powierzchnię. Aby uzyskać najlepszy efekt myj jednocześnie tylko jedną stronę. Pozostaw środek czyszczący przez kilka minut na powierzchni, ale nie pozwól mu zaschnąć. Splucz pod wysokim ciśnieniem natryskiem wachlarzowym, poruszając wahadłowo końcówkę dyszy natryskowej w odległości co najmniej 20 cm (8 in) od czyszczonej powierzchni. Przy użyciu natrysku bezpośredniego utrzymuj większą odległość od czyszczonej powierzchni. Powierzchnie polerowane należy wytrzeć do sucha.

#### Grille, urządzenia energetyczne i narzędzia ogrodowe

Splucz czyszczone miejsce i sąsiadujące powierzchnie pitną wodą. Jeżeli używasz środka czyszczącego, napełnij zbiorniczek środkiem i aplikuj go pod niskim ciśnieniem na czyszczoną powierzchnię. Pozostaw środek czyszczący przez kilka minut na powierzchni, ale nie pozwól mu zaschnąć. Splucz pod wysokim ciśnieniem natryskiem wachlarzowym, trzymając końcówkę dyszy natryskowej w odległości co najmniej 2-7 cm (1-3 in) od czyszczonej powierzchni. Przy użyciu natrysku bezpośredniego utrzymuj większą odległość od czyszczonej powierzchni.

## 13. DANE TECHNICZNE

Napięcie znamionowe	AC 220 - 240 V
Częstotliwość znamionowa	50/60 Hz
Moc znamionowa	1600 W
Ciśnienie znamionowe	90 bar (9 MPa)
Ciśnienie maksymalne	130 bar (13 Mpa)
Przepływ nominalny	6 l/min
Przepływ maksymalny	7 l/min
Maks. temperatura dopływu wody	50 °C
Stopień ochrony	II.
Masa	7,3 Kg
Maksymalne ciśnienie dopływu wody w paskalach	1,2 Mpa
Poziom ciśnienia akustycznego (K = 3 dB (A)): $L_{pA}$	79 dB
Poziom mocy akustycznej (K = 3 dB (A)): $L_{pA}$	90 dB

### GWARANCJA

Zob. załączone warunki gwarancji, w których znajdują się wszystkie szczegóły.

### ŚRODOWISKO NATURALNE

Jeżeli po dłuższym okresie użytkowania konieczna jest wymiana urządzenia, nie wolno wyrzucać go z odpadami komunalnymi, ale zutylizować w sposób ekologiczny.

## 14. ROZWIĄZYWANIE PROBLEMÓW

### JEŻELI PRZEŁĄCZNIK JEST W POZYCJI „I” A URZĄDZENIE SIĘ NIE WŁĄCZA

PRAWDOPODOBNA PRZYCZYNA	ROZWIĄZANIE
Wadliwe gniazdko elektryczne	Skontroluj wtyczkę, gniazdko i bezpieczniki
Niewystarczające napięcie	Sprawdź, czy napięcie jest wystarczające
Kabel zasilający nie jest podłączony	Podłącz kabel zasilający

### POMPA NIE WYTWARZA ODPOWIEDNIEGO CIŚNIENIA LUB WYKAZUJE WAHANIA

PRAWDOPODOBNA PRZYCZYNA	ROZWIĄZANIE
Filtr dopływu wody jest zapchany	Wyjmij i wyczyść filtr
Pompa pompuje powietrze	Uszczelnij połączenie / odpowietrz układ
Zawory ssące są zatłkane/zużyte	Oczyść lub wymień zawory
Średnica węża ogrodowego jest zbyt mała	Wymień go na wąż ogrodowy o średnicy $\frac{3}{4}$ cala
Dopływ wody jest ograniczony	Sprawdź, czy na wężu nie utworzyły się węzły lub pęknięcia
Niewystarczający dopływ wody	Otwórz całkowicie dopływ wody

### MYJKA CIŚNIENIOWA MA LUB NIE UTRZYMUJE CIŚNIENIA

PRAWDOPODOBNA PRZYCZYNA	ROZWIĄZANIE
Zbyt dużo powietrza w przewodach wodnych i pompie	Wyłącz urządzenie i dopływ wody/ Odpowietrz układ / Przytrzymaj spust

### MYJKA CIŚNIENIOWA GENERUJE ZBYT DUŻY HAŁAS

PRAWDOPODOBNA PRZYCZYNA	ROZWIĄZANIE
Zablokowany dopływ	Sprawdź zawory dopływowe
Zawory są zużyte, zanieczyszczone lub zapchane	Sprawdź, oczyść lub wymień zawory
Filtr jest zanieczyszczony	Sprawdź, oczyść lub wymień filtr

### SILNIK ZATRZYMUJE SIĘ W CZASIE PRACY

PRAWDOPODOBNA PRZYCZYNA	ROZWIĄZANIE
Napięcie sieciowe jest niższe od wymaganego	Sprawdź, czy napięcie jest wystarczające

# 15. UTYLIZACJA



Narzędzie, akumulator, akcesoria i opakowania należy poddać sortowaniu, aby zapewnić ich ekologiczną utylizację.

Nie wyrzucaj narzędzi elektrycznych i baterii lub akumulatorów do odpadów komunalnych!

## Wyłącznie dla krajów Unii Europejskiej:



Zgodnie z europejską dyrektywą 2012/19/UE narzędzia elektryczne, które nie są już używane, a zgodnie z europejską dyrektywą 2006/66/WE, uszkodzone lub zużyte zestawy baterii/akumulatorów należy zbierać oddzielnie i utylizować w sposób nieszkodliwy dla środowiska.

### WSKAZÓWKI I INFORMACJE DOTYCZĄCE UTYLIZACJI ZUŻYTYCH OPAKOWAŃ

Wszelkie zużyte opakowania należy przekazać do miejsca określonego przez lokalny urząd zajmujący się likwidacją odpadów.

### UTYLIZACJA ZUŻYTYCH URZĄDZEŃ ELEKTRYCZNYCH I ELEKTRONICZNYCH



Ten symbol umieszczony na produktach lub w załączonej dokumentacji oznacza, że zużyte urządzenia elektryczne i elektroniczne nie mogą być wyrzucane do odpadów komunalnych. Przekaż te produkty do właściwego punktu zbiórki odpadów, gdzie zostanie przeprowadzona ich prawidłowa utylizacja, renowacja lub recykling. W niektórych krajach Unii Europejskiej lub w niektórych państwach europejskich przy zakupie nowego podobnego produktu można dokonać zwrotu zużytego produktu lokalnemu sprzedawcy. Przez prawidłową utylizację tego produktu przyczyniasz się do ochrony cennych zasobów naturalnych i zapobiegasz ewentualnemu negatywnemu wpływowi odpadów na środowisko naturalne i zdrowie ludzkie, do którego mogłoby dojść w wyniku nieprawidłowej utylizacji odpadu. Szczegółowych informacji udzielą lokalne urzędy lub najbliższy punkt zbiórki odpadów. Nieprawidłowa utylizacja tego rodzaju odpadów może podlegać karom pieniężnym zgodnie z obowiązującymi przepisami krajowymi.

#### Dla firm, które działają w krajach Unii Europejskiej

Jeśli chcesz zutylizować urządzenia elektryczne lub elektroniczne, zasięgnij informacji u swego sprzedawcy lub dostawcy.

#### Utylizacja wyrobu w krajach poza Unią Europejską

Jeżeli chcesz zutylizować ten produkt, zasięgnij niezbędnych informacji w lokalnych urzędach lub u sprzedawcy.



Produkt spełnia wszelkie podstawowe wymagania wszystkich właściwych dyrektyw UE.

Tekst, design i specyfikacje techniczne mogą ulec zmianie bez uprzedzenia. Zastrzegamy sobie prawo do dokonania tych zmian.

Przekład oryginalnej instrukcji obsługi.









**FIELDMANN®**  
Home & Garden Performance

**Model /Modell /Modelis:** .....

**Záruční list / Záručný list /  
Warranty Certificate / Jótállási jegy /  
Garantijos taisyklės / Karta Gwarancyjna**

Výrobní číslo  
Výrobné číslo  
Serial No.  
Szériaszám  
Serijos Nr.  
Numer seryjny

Razítko a podpis prodejce  
Pečiatka a podpis predajcu  
Dealer's stamp  
A kereskedő bélyegzője  
Pardavėjo antspaudas  
Pieczęćka i podpis sklepu

Datum prodeje  
Dátum predaja  
Date of purchase  
A vásárlás dátuma  
Pardavimo data  
Data zakupu

## Záruční podmínky

Prodávající poskytuje kupujícímu na výrobek záruku v trvání 24 měsíců od převzetí výrobku kupujícím. Záruka se poskytuje za dále uvedených podmínek. Záruka se vztahuje pouze na nové spotřební zboží prodané spotřebiteli pro běžné domácí použití. Práva z odpovědnosti za vady (reklamaci) může kupující uplatnit buď u prodávajícího, u kterého byl výrobek zakoupen nebo v níže uvedeném autorizovaném servisu. Kupující je povinen reklamaci uplatnit bez zbytečného odkladu, aby nedošlo ke zhoršení vady, nejpozději však do konce záruční doby. Kupující je povinen poskytnout při reklamaci součinnost nutnou pro ověření existence reklamované vady. Do reklamačního řízení se přijímá pouze kompletní a z důvodů dodržení hygienických předpisů neznečištěný výrobek. V případě oprávněné reklamace se záruční doba prodlužuje o dobu od okamžiku uplatnění reklamace do okamžiku převzetí opraveného výrobku kupujícím nebo okamžiku, kdy je kupující po skončení opravy povinen výrobek převzít. Kupující je povinen prokázat svá práva reklamovat (doklad o zakoupení výrobku, záruční list, doklad o uvedení výrobku do provozu. . .).

### Záruka se nevztahuje zejména na:

- vady, na které byla poskytnuta sleva
- opotřebení a poškození vzniklé běžným užíváním výrobku
- poškození výrobku v důsledku neodborné či nesprávné instalace, použití výrobku v rozporu s návodem k použití, platnými právními předpisy a obecně známými a obvyklými způsoby používání, v důsledku použití výrobku k jinému účelu, než ke kterému je určen
- poškození výrobku v důsledku zanedbané nebo nesprávné údržby
- poškození výrobku způsobené jeho znečištěním, nehodou a zásahem vyšší moci (živelná událost, požár, vniknutí vody. . .)
- vady funkčnosti výrobku způsobené nevhodnou kvalitou signálu, rušivým elektromagnetickým polem apod.
- mechanické poškození výrobku (např. ulomení knoflíku, pád. . .)
- poškození způsobené použitím nevhodných médií, náplní, spotřebního materiálu (baterie) nebo nevhodnými provozními podmínkami (např. vysoké okolní teploty, vysoká vlhkost prostředí, otřesy. . .)
- poškození, úpravu nebo jiný zásah do výrobku provedený neoprávněnou nebo neautorizovanou osobou (servisem)
- případy, kdy kupující při reklamaci neprokáže oprávněnost svých práv (kdy a kde reklamovaný výrobek zakoupil)
- případy, kdy se údaje v předložených dokladech liší od údajů uvedených na výrobku
- případy, kdy reklamovaný výrobek nelze ztotožnit s výrobkem uvedeným v dokladech, kterými kupující prokazuje svá práva reklamovat (např. poškození výrobního čísla nebo záruční plombu přístroje, prepisované údaje v dokladech. . .)

## Záručné podmienky

Prodávající poskytuje kupujúcemu na výrobok záruku v trvaní 24 mesiacov záruku od jeho prevzatia kupujúcim. Záruka sa poskytuje ďalej za nižšie uvedených podmienok. Záruka sa vzťahuje iba na spotrebný tovar predaný spotrebiteľovi na bežné domáce použitie. Práva zo zodpovednosti za chyby (reklamácie) môže kupujúci uplatniť buď u predávajúceho, u ktorého bol výrobok zakúpený alebo v nižšie uvedenom autorizovanom servise. Kupujúci je povinný reklamáciu uplatniť bez zbytočného odkladu, aby nedochádzalo ku zhoršeniu chyby, najneskôr však do konca záručnej doby. Kupujúci je povinný pri reklamacii spolupracovať pri overení existencie reklamovanej chyby. Do reklamačného procesu sa prijíma iba kompletný a z dôvodu dodržania hygienických predpisov neznečistený výrobok. V prípade oprávnenej reklamácie sa záručná doba predlžuje o dobu od okamžiku uplatnenia reklamácie do okamžiku prevzatia opraveného výrobku kupujúcim, kedy je kupujúci po skončení opravy povinný výrobok prevziať. Kupujúci je povinný preukázať svoje práva reklamovať (doklad o zakúpení výrobku, záruční list, doklad o uvedení výrobku do prevádzky. . .).

### Záruka sa nevztahuje na:

- chyby, na ktoré boli poskytnuté zľavy
- opotrebenia a poškodenia vzniknuté bežným užívaním výrobku
- poškodenie výrobku v dôsledku neodborné či nesprávne inštalácie, použitie výrobku v rozpore s návodom na použitie s platnými právnymi predpismi a všeobecne známymi a obvyklými spôsobmi používania, v dôsledku použitia výrobku za iným účelom, než na ktorý je určený
- poškodenie výrobku v dôsledku zanedbanej alebo nesprávnej údržby
- poškodenie výrobku spôsobené jeho znečistením, nehodou a zásahom vyššej moci (živelná udalosť, požiar, vniknutievody. . .)
- chyby funkčnosti výrobku spôsobené nevhodnou kvalitou signálu, rušivým elektromagnetickým polom a pod.
- mechanické poškodenie výrobku (napr. zlomenie gombíka, pád. . .)
- poškodenie spôsobené použitím nevhodných médií, náplní, spotrebného materiálu (batérie) alebo nevhodnými prevádzkovými podmienkami (napr. vysoké teploty v okolí, vysoká vlhkosť prostredia, otrasy. . .)
- poškodenie, úpravu alebo iný zásah do výrobku spôsobený neoprávněnou alebo neautorizovanou osobou (servisom)
- prípady, keď kupujúci pri reklamacii nepreukáže oprávněnost svojich práv (kedy a kde reklamovaný výrobok zakúpil)
- prípady, keď sa údaje v predložených dokladoch líšia od údajov uvedených na výrobku
- prípady, keď reklamovaný výrobok sa neshoduje s výrobkom uvedeným v dokladoch, ktorými kupujúci preukazuje svoje práva reklamovať (napr. poškození výrobního čísla alebo záruční plombu přístroje, prepisované údaje v dokladech. . .)

## Conditions of guarantee

This product is warranted for the period of 24 months from the date of purchase to the end-user. Warranty is limited to the following conditions. Warranty is referred only to the customer goods using for common domestic use. The claim for service can be applied either at dealer's shop where the product was bought, or at below mentioned authorized service shops. The end-user is obligated to set up a claim immediately when the defects appeared but only till the end of warranty period. The end-user is obligated to cooperate to certify the claiming defects. Only completed and clean (according to hygienic standards) product will be accepted. In case of eligible warranty claim the warranty period will be prolonged by the period from the date of claim application till the date of taking over the product by end-user, or the date the end-user is obligated to take it over. To obtain the service under this warranty, end-user is obligated to certify his claim with duly completed following documents: receipt, certificate of warranty, certificate of installation. . .

**This warranty is void especially if apply as follows:**

- Defects which were put on sale.
- Wear-out or damage caused by common use.
- The product was damaged by unprofessional or wrong installation, used in contrary to the applicable instruction manual, used in contrary to legal enactment and common process of use or used for another purpose which has been designed for.
- The product was damaged by uncareful or insufficient maintenance.
- The product was damaged by dirt, accident of force majeure (natural disaster, fire, flood, . . .)
- Defects on functionality caused by low duality of signal, electromagnetic field interference etc.
- The product was mechanically damaged (e.g. broken button, fall. . .)
- Damage caused by use of unsuitable media, fillings, expendable supplies (batteries) or by unsuitable working conditions (e.g. high temperatures, high humidity, quakes, . . .)
- Repair, modification or other failure action to the product by unauthorized person.
- End-user did not prove enough his right to claim (time and place of purchase).
- Data on presented documents differs from data on products.
- Cases when the claiming product can not be identified according to the presented documents (e.g. the serial number or the warranty seal has been damaged).

## Autorizovaná servisní střediska / Autorizované servisné strediská / Authorized service centres

FAST ČR, a. s.  
U Sanitasy 1621 CZ  
251 01 Říčany  
Česká republika  
Tel.: +420/ 323 204 120  
Fax: +420/ 323 204 121  
servis.praha@fastcr.cz  
www.fastcr.cz

FAST ČR, a. s.  
Cejl 31  
CZ 602 00 Brno  
Česká republika  
Tel.: +420/ 531 010 295  
Fax: +420/ 531 010 296  
servis.brno@fastcr.cz  
www.fastcr.cz

FAST Plus, spol. a. s.  
Na Pántoch 18  
SK 831 06 Bratislava  
Slovenská republika  
Tel.: +421/ 249 105 811  
Fax: +421/ 249 105 810  
fastplus@fastplus.sk  
www.fastplus.sk

## Jótállási jegy

■ A termék gyártója: FAST ČR, a.s. (U Sanitasa 1621, Řičany u Prahy 251 01, Csehország)  
■ A FAST Hungary Kft. (2310 Szigetszentmiklós, Kántor út 10.) mint a termék magyarországi importőre a jótállási jegyen feltüntetett típusú és gyártási számú készülékre jótállást biztosít a fogyasztók számára az alábbi feltételek szerint:  
■ A FAST Hungary Kft. a termékre a fogyasztó részére történő átadástól (vásárlástól), illetve ha az üzembe helyezését a termék értékesítő vállalkozás vagy annak megbízottja végzi, az üzembe helyezéstől számított 24 hónapig, míg 250.000,- Ft eladási ár felett 36 hónapig tartó időtartamra vállal jótállást. Ha a terméket a fogyasztó az átadástól számított fél éven belül helyzeti üzembe, akkor a jótállási határidő a termék átadásától kezdődik. A termék alkotórészeire és tartozékaira (pl. akkumulátor) a jótállási idő a termék átadásától számított 12 hónap.  
■ A jótállási igény a jótállási jeggyel, az átadástól (ha releváns az üzembe helyezéstől) számított (i) 1 évig - 100.000,- Ft eladási árát meg nem haladó termék esetén; (ii) 2 évig - 250.000,- Ft eladási árát meg nem haladó termék esetén; (iii) 3 évig - 250.000,- Ft eladási árát meghaladó termék esetén - a terméket értékesítő vállalkozásnál, annak székhelyén, vagy bármely telephelyén, fióktelepén, illetve mindhárom esetben a jótállási jegyen feltüntetett hivatalos szerviznél közvetlenül is, míg az előző (i) pont szerinti esetben, azaz 100.000,- Ft eladási árát meg nem haladó termék esetén a 13. hónaptól a 24. hónapig kizárólag a hivatalos szerviznél érvényesíthető. ■ Jótállási jegy hiányában a fogyasztói szerződés megkötését bizonyítottnak kell tekinteni, ha a fogyasztó bemutatja a termék ellenértékének megfizetését hitel érdemiően igazoló bizonylatot. Mindezek érdekében kérjük tisztelt Vásárlóinkat, hogy őrizzék meg a fizetési bizonylatot is. A jótállási időn belüli meghibásodás esetén a fogyasztó - választása szerint - (i) a hibás termék díjmentes kijavítását vagy kicserélését követelheti, kivéve, ha a választott igény teljesítése lehetetlen, vagy ha az a jótállásra kötelezettség a fogyasztó által érvényesíteni kívánt másik igény teljesítésével összehasonlítva aránytalan többletköltséget eredményezne, vagy (ii) ha a kötelezett a kijavítást, illetve kicserélést nem vállalata, vagy e kötelezettségének megfelelő határidőn belül, a fogyasztó érdekeit kímélve nem tud eleget tenni, vagy ha a fogyasztónak a kijavításához vagy kicseréléséhez fűződő érdeke megszűnt, akkor a fogyasztó megfelelő árleszállítást igényelhet, vagy a hibát a kötelezett költségére maga kijavíthatja vagy mással kijavíthatja vagy elállhat a szerződéstől. Jelentkezők hibá miatt

elállásnak nincs helye. A fogyasztó a választott jogáról másra térhet át. Az áttéréssel okozott költséget köteles a jótállásra kötelezettség megfizetni, kivéve, ha az áttérésre a jótállásra kötelezett adott okot, vagy az áttérés egyébként indokolt volt. ■ Ha a jótállási időtartam alatt a termék első alkalommal történő javítása során megállapítást nyer, hogy a termék nem javítható, a fogyasztó eltérő rendelkezése hiányában a termék a megállapítást követő 8 napon belül kicserélésre kerül. Ha a termék cseréjére nincs lehetőség, a fogyasztó által bemutatott, a termék ellenértékének megfizetését igazoló bizonylaton feltüntetett vételárát nyolc napon belül kell a fogyasztó részére visszatéríteni. ■ Ha a jótállási időtartam alatt a termék három alkalommal történő kijavítást követően ismét meghibásodik, a fogyasztó eltérő rendelkezése hiányában, valamint ha a fogyasztó nem igényli a vételár arányos leszállítását, és nem kívánja a terméket a jótállásra kötelezett költségére kijavítani vagy mással kijavíttatni, a termék 8 napon belül kicserélésre kerül. Ha a termék kicserélésére nincs lehetőség, a fogyasztó által bemutatott, a termék ellenértékének megfizetését igazoló bizonylaton feltüntetett vételárát nyolc napon belül kell a fogyasztó részére visszatéríteni. ■ Ha a termék kijavítására a kijavítási igény közlésétől számított 30. napig nem kerül sor, a fogyasztó eltérő rendelkezése hiányában a terméket a 30 napos határidő eredménytelen eltelte követő nyolc napon belül cserélni kell. Ha a termék cseréjére nincs lehetőség, a fogyasztó által bemutatott, a termék ellenértékének megfizetését igazoló bizonylaton feltüntetett vételárát a 30 napos kijavítási határidő eredménytelen eltelte követő nyolc napon belül kell a fogyasztó részére visszatéríteni. ■ A fogyasztó a hiba felfedezését követően késedelem nélkül, legkésőbb a felfedezéstől számított 2 hónapon belül köteles a hibát közölni. A bejelentés kapcsán kérjük vegye figyelembe, hogy a **jótállási igény kizárólag a jótállási határidőben érvényesíthető! Mindazonáltal a jótállási határidő meghosszabbodik a javításra átadás napjától kezdve azzal az idővel, amely alatt a fogyasztó a terméket a hiba miatt rendeltetészerűen nem használhatta.** Ha a jótállásra kötelezett jótállási kötelezettségének megfelelő határidőben nem tesz eleget, a jótállási igény a fogyasztó erre irányuló felhívásában tűzött megfelelő határidő eltelteitől számított 3 hónapon belül akkor is érvényesíthető bíróság előtt, ha a jótállási idő már eltelt. E határidő elmulasztása jogvesztéssel jár. A jótállási kötelezettség teljesítésével kapcsolatban felmerülő költségek a jótállás kötelezettjét terhelik.

■ A 151/2003. (IX.22.) Korm.rendeletben meghatározott tartós fogyasztási cikk meghibásodása miatt a vásárlástól (üzembe helyezésétől) számított három munkanapon belül érvényesített csereigény esetén a terméket értékesítő vállalkozás nem hivatkozhat aránytalan többletköltségre, hanem köteles a tartós fogyasztási cikket kicserélni, feltéve, hogy a meghibásodás a rendeltetészerű használatot akadályozza (és a csere nem lehetetlen). ■ Kijavítás esetén a fogyasztási cikkbe csak új alkatrészt kerülhet beépítésre. Javítási- vagy csereigény esetén törekedni kell arra, hogy a kijavítás vagy kicserélés 15 napon belül megtörténjen. Ha a javítás vagy csere időtartama a 15 napot meghaladja, akkor jótállási időtartam alatt a termék három alkalommal történő javítását követően ismét meghibásodik, a fogyasztó eltérő rendelkezése hiányában, valamint ha a fogyasztó nem igényli a vételár arányos leszállítását, és nem kívánja a terméket a jótállásra kötelezett költségére kijavítani vagy mással kijavíttatni, a termék 8 napon belül kicserélésre kerül. Ha a termék kicserélésére nincs lehetőség, a fogyasztó által bemutatott, a termék ellenértékének megfizetését igazoló bizonylaton feltüntetett vételárát nyolc napon belül kell a fogyasztó részére visszatéríteni. ■ Ha a termék kijavítására a kijavítási igény közlésétől számított 30. napig nem kerül sor, a fogyasztó eltérő rendelkezése hiányában a terméket a 30 napos határidő eredménytelen eltelte követő nyolc napon belül cserélni kell. Ha a termék cseréjére nincs lehetőség, a fogyasztó által bemutatott, a termék ellenértékének megfizetését igazoló bizonylaton feltüntetett vételárát nyolc napon belül kell a fogyasztó részére visszatéríteni. ■ Ha a termék kijavítására a kijavítási igény közlésétől számított 30. napig nem kerül sor, a fogyasztó eltérő rendelkezése hiányában a terméket a 30 napos határidő eredménytelen eltelte követő nyolc napon belül cserélni kell. Ha a termék cseréjére nincs lehetőség, a fogyasztó által bemutatott, a termék ellenértékének megfizetését igazoló bizonylaton feltüntetett vételárát nyolc napon belül kell a fogyasztó részére visszatéríteni. ■ A fogyasztó a hiba felfedezését követően késedelem nélkül, legkésőbb a felfedezéstől számított 2 hónapon belül köteles a hibát közölni. A bejelentés kapcsán kérjük vegye figyelembe, hogy a **jótállási igény kizárólag a jótállási határidőben érvényesíthető! Mindazonáltal a jótállási határidő meghosszabbodik a javításra átadás napjától kezdve azzal az idővel, amely alatt a fogyasztó a terméket a hiba miatt rendeltetészerűen nem használhatta.** Ha a jótállásra kötelezett jótállási kötelezettségének megfelelő határidőben nem tesz eleget, a jótállási igény a fogyasztó erre irányuló felhívásában tűzött megfelelő határidő eltelteitől számított 3 hónapon belül akkor is érvényesíthető bíróság előtt, ha a jótállási idő már eltelt. E határidő elmulasztása jogvesztéssel jár. A jótállási kötelezettség teljesítésével kapcsolatban felmerülő költségek a jótállás kötelezettjét terhelik.

■ Nem tartozik jótállás alá a hiba és a jótállásra kötelezett mentesül a jótállási kötelezettség alól, ha bizonyítja, hogy a hiba oka a termék fogyasztó részére való átadását követően keletkezett, így például ha a hibát ■ nem rendeltetészerű használat, használati útmutató figyelmen kívül hagyása, helytelen szállítás vagy tárolás, leejtés, rongálás, elemi kár, készülékek kivétel ok (pl. hálózati feszültség megengedettnél nagyobb ingadozása) ■ illetéktelen átalakítás, beavatkozás, nem hivatalos szerviz által végzett szakszerűtlen javítás ■ fogyasztó feladatát képező karbantartási munkák elmulasztása ■ normál, természetes elhasználódásra visszavezethető (pl. elem lemerülése) vagy üzemszerű kopásnak tulajdonítható meghibásodás okta. A jótállás a fogyasztó jogszabályból eredő jogait, így különösen a Polgári Törvénykönyv szerinti kellekészatossági illetve termékszavatossági jogait nem érinti. ■ Tájékoztatjuk, hogy a fogyasztóvédelmi törvényben meghatározott fogyasztói jogvita bíróságon kívüli rendezése érdekében Ön a megyei (fővárosi) kereskedelmi és iparkamarák által működtetett békéltető testület eljárását is kezdeményezheti (a békéltető testületek elérhetősége: <https://bekteltetes.hu/index.php?id=testulek>).

Hivatalos szervíz / Autoryzowana sieć serwisowa

revision 01/2021

Fast Hungary Kft.  
2310, Szigetszentmiklós  
Kántor u. 10  
Hungary  
Tel.: + 36/ 23 330 830  
Fax: + 36/ 23 330 8274  
fasthungary@fasthungary.hu  
www.fasthungary.hu

## A kereskedő tölti ki

Megnevezés:.....

Típus:..... Gyártási szám: .....

A termék azonosításra alkalmas részeinek meghatározása (ha alkalmazható): .....

Vásárlást igazoló bizonylat száma: .....

A vásárlás (üzembe helyezés) időpontja: 20..... hó.....nap.

Kereskedő bélyegzője:

Kereskedő aláírása: .....

Kereskedő címe: .....

## Javítás esetén alkalmazandó

### A kereskedő vagy szerviznél történő közvetlen bejelentés esetén a szerviz tölti ki

A jótállási igény bejelentésének időpontja: .....

Javításra átvétel időpontja: .....

Hiba oka: .....

Javítás módja: .....

A termék fogyasztó részére való visszaadásának időpontja: .....

A jótállás – kijavítás időtartamával meghosszabbított – új határideje: .....

Szerviz pecsétje:

Kereskedő pecsétje: .....

## Kicserélés esetén alkalmazandó

A jótállási igény kicseréléssel került rendezésre.

A csere időpontja: .....

Kereskedő bélyegzője:

Tisztelt Fogyasztó!

Köszönjük, hogy termékünket választotta. Cégünk és szervizünk elérhetősége:

**FAST Hungary Kft.** H-2310 Szigetszentmiklós, Kántor út 10. Tel.: 06-23-330-905; 06-23-330-830;

Fax: 06-23-330-827, E-mail: [szerviz@fasthungary.hu](mailto:szerviz@fasthungary.hu)



**FIELDMANN®**  
Home & Garden Performance

## Garantijos taisyklės

Šiam gaminiui suteikiama 24 mėnesių nuo įsigijimo datos garantija. Garantija apsiriboja žemiau pateikiamomis sąlygomis. Garantija skirta tik gaminiams, skirtiems buitiniam naudojimui. Dėl garantinio remonto pirkėjas gali kreiptis į pardavėjo parduotuvę, kurioje gaminį pirkė, arba į nurodytus įgaliotus techninės priežiūros centrus. Galutinis naudotojas įsipareigoja pateikti pretenziją nedelsiant po defekto atsiradimo, tačiau tik iki garantijos galiojimo periodo pabaigos. Galutinis naudotojas įsipareigoja bendradarbiauti patvirtinant gaminio defektus, dėl kurių pateikia pretenziją. Priimtas bus tik pilnai sukomplektuotas ir švarus (pagal higienos standartus) gaminys. Jei pretenzija dėl garantinio remonto bus pagrįsta, gaminio garantijos galiojimo periodas bus prailgintas atitinkamai periodu nuo pretenzijos pateikimo datos iki galutinio naudotojas pasims sutaisytą gaminį arba iki datos, kada galutinis naudotojas turėtų pasiimti sutaisytą gaminį. Norėdamas gauti garantinio remonto paslaugas, galutinis naudotojas turi patvirtinti pretenziją pilnai užpildytais sekanciais dokumentais: pirkimo kvitu, garantiniu talonu, instaliavimo sertifikatu. . .

**Garantija netaikoma:** ■ Nukainotoms (brokuotoms) prekėms. ■ Įprastinai susidėvinčioms gaminio dalims ■ Gedimams, atsiradusiems neprofesionaliai ar neteisingai gaminį instaliavus, nesilaikant gaminio naudojimo instrukcijų, naudojant gaminį ne pagal įstatymų numatytus standartus ar įprastinius tokio tipo gaminijų naudojimo procesus, naudojant gaminį kitaip paskirčiai nei numatyta. ■ Gedimams, atsiradusiems dėl netinkamos ar nepakankamos gaminio priežiūros. ■ Gedimams, atsiradusiems dėl purvo, nenugalimos jėgos aplinkybių (stichinių nelaimių, gaisro, potvynio, . . .). ■ Gedimams, atsiradusiems dėl prastos kokybės signalo, elektromagnetinio lauko trikdžių ir kt. ■ Rodus mechaninių pažeidimų (pvz. sulaužyti mygtukai, kritimo požymiai. . .). ■ Gedimams, atsiradusiems naudojant gaminį su netinkamomis laikmenomis, jungiant prie netinkamų tinklų, dedant į gaminį netinkamus maitinimo šaltinius (baterijas) ar dėl bet kokių kitų netinkamų naudojimo sąlygų (pvz. aukštos temperatūros, didelės drėgmės, žemės drebėjimų. . .). ■ Nustačius, kad gaminys taisytas, modifikuotas ar ardytas neįgaliotų tai daryti asmenų. ■ Jei galutinis naudotojas neturi visų reikalingų dokumentų, įrodančių jo teisę į garantinį remontą (pvz. dokumento, kur būtų nurodytas gaminio įsigijimo laikas ir vieta). ■ Jei data pateiktuose dokumentuose skiriasi nuo datos ant gaminio.

## Warunki gwarancji

Produkt objęty jest 24 – miesięczną gwarancją, począwszy od daty zakupu przez klienta. Gwarancja jest ograniczona tylko do przedstawionych dalej warunków. Gwarancja obejmuje tylko produkty zakupione w Polsce i jest ważna tylko na terytorium Rzeczpospolitej Polskiej. Gwarancja obejmuje tylko produkty funkcjonujące w warunkach gospodarstwa domowego (nie dotyczy produktów oznaczonych jako „Professional”). Zgłoszenia gwarancyjne można dokonać w autoryzowanej sieci serwisowej lub w sklepie, gdzie produkt został nabyty. Użytkownik jest zobowiązany zgłosić usterkę niezwłocznie po jej wykryciu, a najpóźniej w ostatnim dniu obowiązywania okresu gwarancyjnego. Użytkownik jest zobowiązany do przedstawienia i udokumentowania usterki. Tylko kompletne i czyste produkty (zgodnie ze standardami higienicznymi) będą przyjmowane do naprawy. Usterki będą usuwane przez autoryzowany punkt serwisowy w możliwie krótkim terminie, nieprzekraczającym 14 dni roboczych. Okres gwarancji przedłuża się o czas pobytu sprzętu w serwisie. Klient może ubiegać się o wymianę sprzętu na wolny od wad, jeżeli punkt serwisowy stwierdzi na piśmie, że usunięcie wady jest niemożliwe. Aby produkt mógł być przyjęty przez serwis, użytkownik jest zobowiązany dostarczyć oryginały: dowodu zakupu (paragon lub faktura), podbitej i wypełnionej karty gwarancyjnej, certyfikatu instalacji (niektóre produkty).

### Gwarancja zostaje unieważniona, jeśli:

■ usterka była widoczna w chwili zakupu, ■ usterka wynika ze zwykłego użytkowania i zużycia, ■ produkt został uszkodzony z powodu złej instalacji, niezastosowania się do instrukcji obsługi lub użytkownika niezgodnego z przeznaczeniem, ■ produkt został uszkodzony z powodu złej konserwacji lub jej braku, ■ produkt został uszkodzony z powodu zanieczyszczenia, wypadku lub okoliczności o charakterze sił wyższych (powódź, pożar, wojny, zamieszki itp.) ■ produkt wykazuje złe działanie z powodu słabego sygnału, zakłóceń elektromagnetycznych itp., ■ produkt został uszkodzony mechanicznie (np. wylamany przycisk, upadek, itp.), ■ produkt został uszkodzony z powodu użycia niewłaściwych materiałów eksploatacyjnych, nośników, akcesoriów, baterii, akumulatorów itp. lub z powodu użytkowania w złych warunkach (temperatura, wilgotność, wstrząsy itp.), ■ produkt był naprawiany lub modyfikowany przez nieautoryzowany personel, ■ użytkownik nie jest w stanie udowodnić zakupu (nieczytelny paragon lub faktura), ■ dane na przedstawionych dokumentach są inne niż na urzędzeniu, ■ produkt nie może być zidentyfikowany ze względu na uszkodzenie numeru seryjnego lub plomby gwarancyjnej.

Uab „Sėnėga Prekybos  
Centras“ Garantinis Servisas  
Jonavos G. 62, Lt-44192,  
Kaunas, Lithuania  
Tel.: +370 37 212 146  
Tex.: +370 37 212 165  
garrem@senukai.lt  
www.senukai.lt

Fast Poland, Sp. z o.o.  
Sokołowska 10  
PL 05-090 Puchawy  
Poland  
Tel.: +48 500 116 777  
Fax: +48 22 869 96 13  
fastpoland@fastpoland.pl  
www.fastpoland.pl



 **FIELDMANN®**  
Home & Garden Performance